

-343/16

FAP, MERCEDES

MAN,

IK,
ZF

-

:

I	3		
II	8		
III	8		
IV	9		
V	29		
VI				
75.	76.			
	. 77.	30	
VII		35	
VIII		O	45
IX		48	
X				
/		105	



J

29,
 : www.gsp.co.rs
 55., 57. 60. (124/12, 14/15
 68/15) - 29,

ZF : IK, FAP, MERCEDES MAN,
 -343/16 (: 34320000 -)

1	34320000 -	DELOVI DIFERENCIJALA OSOVINE ZF AV-132/87
2	34320000 -	LEŽAJEVI OSOVINE ZF AV-132/87
3	34320000 -	DELOVI GLAVINE OSOVINE ZF AV-132/87/90
4	34320000 -	PORTAL OSOVINE ZF AV-132/87
5	34320000 -	DELOVI REDUKTORA OSOVINE ZF AV-132/87
6	34320000 -	ZAVRTNJEVI OSOVINE ZF AV-132/87
7	34320000 -	GLAVCINA, POG.OSOVINE ZF AV132/87 IK112N/218N
8	34320000 -	POLUTKA, LEZAJA STABILIZ.GOR.POG.OS.IK112/218
9	34320000 -	SEMERING, 132X160X10 SPOLJ.GLAVC.OS.AV132/87
10	34320000 -	SEMERING, 132X172X12 BF1 BRUSS 76880-00 UNUTR
11	34320000 -	ZAVRTANJ, M18X1.5X50 POLUVRATILA OS.AV132/87
12	34320000 -	OSOVINICA, LEZAJA MEDJUZ.REDUK.OS.ZF AV132/87
13	34320000 -	PRSTEN, IMPULSNI Z-100 REDUKT.OS.ZF AV 132/87
14	34320000 -	KUCISTE, LEVI PORTAL BOC.REDUKT.OS.AV132II/87
15	34320000 -	KUCISTE, DESNI PORTAL BOCNOG REDUKTORA OSOVINE AV132II87
16	34320000 -	NOSAC, AMORT./JASTUKA DESNI OS.AV 132II/87
17	34320000 -	NOSAC, AMORT./JASTUKA LEVI OS.AV132II/87
18	34320000 -	SEMERING, 90x125x12/19 PRIR.DIF.OS.AV 132/87
19	34320000 -	PODLOŠKE ZA PODEŠAVANJE OSOVINE ZF AV-132/87
20	34320000 -	DELOVI OSOVINE VOK 07-B17, IK112/218M
21	34320000 -	VALJČIC, KOCNE PAPUČE OS.BDI28MD
22	34320000 -	ODBOJNIK, GUMENI POG.OSOVINE RABA IK
23	34320000 -	OPRUGA, KOC.PAPUČA DUZA POG.OSOV.BDI23 IK202

24	34320000 -	SEMERING, 85X132X13 SA NOSACEM DIFER.IK103/
25	34320000 -	PAPUCA, KOCNA POGONSKE OSOVINE BDI23 IK202
26	34320000 -	KLIP, NOSAC DONJI VAZD.JAST.PRED.OSOV. ZF RL
27	34320000 -	KLIP, NOSAC VAZD.JAST.POG. I NEUTR.OS. ZF RL
28	34320000 -	LEZAJ, IGLICASTI F-91943INA RUKAV.OS.ZF RL-85
29	34320000 -	LEZAJ, 32309 GLAVC.TOCKA SPOLJ.OS. ZF RL-85A IK112/218N
30	34320000 -	LEZAJ, AKSIJALNI OSOVINICE RUKAVCA OS. ZF RL-85A IK-112/218
31	34320000 -	LEZAJ, 534565 GLAVC.TOCKA UNUTR. OS. ZF RL-85A IK112/218N
32	34320000 -	POKLOPAC, RUKAVCA IK 112N/218N
33	34320000 -	OSOVINICA, RUKAVCA OSOVINE ZF RL-85A
34	34320000 -	ZAVRTANJ, M16X1.5X50-10.9 DISKA OS.ZF RL-85A
35	34320000 -	SEMERING, 100X140X15 OS.ZF RL-85A IK112N/218N
36	34320000 -	ZAVRTANJ, M18X1.5X60 10.9 PRED.OS.ZF RL-85A
37	34320000 -	RUKAVAC, PREDNJE OSOVINE ZF-RL85A IK112/218N
38	34320000 -	PREVRTA , KO NIH PAPU A POG.OSOVINE HO9 SG/SL
39	34320000 -	LIM ZAŠTITNI OSOVINE HOM9 SG313/SL283
40	34320000 -	LEZAJ, PR.OS.SA INTEG.KUCIS. HOV9 SG313/SL283
41	34320000 -	PRSTEN, GUMENI KOCNOG VALJKA MAN SG313
42	34320000 -	KUCISTE, PLANET.ZUPC.POG.OS. HO9-1300 SG 313
43	34320000 -	LEZAJ, 33022 UNUT.110x170x47 POG.TOCKA OS.H09
44	34320000 -	SEMERING, 85X145X12/25-FPM/NBR GL.PRENOSN.SG
45	34320000 -	SEMERING, 145X175X15.5WD-NBR-Z=100 OS.H09 SG
46	34320000 -	GLAVCINA, TOCKA POGONSKE OSOVINE HO9-13120
47	34320000 -	OPRUGA, KOCNE PAPUCE SG 313
48	34320000 -	KLIP, NOSAC DONJI VAZ.JASTUKA PRED.OS.SG313
49	34320000 -	KLIP, NOSAC DONJI VAZ.JASTUKA POG.OS.SG313
50	34320000 -	OSIGURAC, TRAPEZNI KOC.PAPUCA SL/SG, A537
51	34320000 -	PAPUCA, KOCNA POGONSKE OSOVINE MAN SG313/283
52	34320000 -	PRSTEN, GUMENI 255X5 KUCISTA TRKACA SG/SL
53	34320000 -	RUKUNICA PREDNJE OSOVINE V9-82L-29 SL/SG
54	34320000 -	SET, DELOVA RUKAVCA OSOVINE V9-82L SG313
55	34320000 -	PRSTEN, GUMENI ?62X3 OSOVINICE RUKAVCA SG313

56	34320000 -	'	POLUVRATILA POGONSKE OSOVINE O345C
57	34320000 -	'	PREVRTA I POGONSKE OSOVINE O345C
58	34320000 -	'	PREVRTA I POGONSKE OSOVINE O345C/E3
59	34320000 -	'	KU IŠTA, PORTALI BO NOG REDUKTORA O345C/E3
60	34320000 -	'	SETOVI RUKAVCA O345
61	34320000 -	'	GLAVCINA, TOCKA PREDNJE OSOVINE O345C
62	34320000 -	'	OPRUGA, KOCNIH PAPUCA 234mm POVRATNA O345C
63	34320000 -	'	SEMERING, 130X170X18/20 POG.GLAVCINE O345C/E3
64	34320000 -	'	SET, DELOVA VALJICA KOCNE PAPUCE O345,FAP,MB
65	34320000 -	'	SET, DELOVA PREVRTACA KOCNIH PAPUCA O345C
66	34320000 -	'	DRZAC, OSLOMCA VAZDUSNOG JAST.DONJI O345C
67	34320000 -	'	KUCISTE, SFERNOG LEZAJA PREVRTACA POGONSKE OSOVINE O345C E2
68	34320000 -	'	PAPUCA, KOCNA POGONSKE OSOVINE CONECTO
69	34320000 -	'	LEZAJ, 32021 KBS GLAVCINE POG.OS.SPOLJNI CONE
70	34320000 -	'	LEZAJ, JM822049/JM822010 UNUT.POG.TOCKA O345C
71	34320000 -	'	GLAVCINA, TOCKA POGONSKE OS.ZP82 O345/E3
72	34320000 -	'	NOSAC, PREVRTACA LEVI POG.OS.AV132/87 O345C
73	34320000 -	'	POKLOPAC, KOCNOG SISTEMA (ANKER PLATNA) O345C
74	34320000 -	'	SET, DELOVA PREVRTACA KOCNIH PAPUCA O345C/E3
75	34320000 -	'	SET, OPRUGA KOCNIH PAPUCA POG.OSOV. O345C/E3
76	34320000 -	'	SEMERING, OBLOGE POGONSKE OSOVINE O345 C E3
77	34320000 -	'	OSIGURAC, NAVRTKE OBLOGE POGONSKE OS. O345 E3
78	34320000 -	'	ZAVRTANJ, M20X1.5X65 10.9 KOC.CIL. O345C E3
79	34320000 -	'	OSIGURAC, OSOVINICE KOCNE PAPUCE ZA O345C E3
80	34320000 -	'	OSOVINICA, KOCNE PAPUCE ZA O345C E3
81	34320000 -	'	SET, Z=17/29 KONUSNO-TANJIRASTI DIF.OS.H07/8
82	34320000 -	'	DELOVI STABILIZATORA IK218 2012
83	34320000 -	'	PODMETAC, RUKAVCA OSOVINE 832
84	34320000 -	'	KLIP, NOSAC DONJI VAZDUSNOG JASTUKA IK
85	34320000 -	'	PLOCA, VAZDUSNOG JASTUKA GORNJA IK
86	34320000 -	'	LEZAJ, 30206 PRAT.OS.831/ MEDJUPOL. GUR. SP.A537
87	34320000 -	'	LEZAJ, 30205 MEDJUPOLU.GUR.SPONA IK-166/A537

88	34320000 -	LEZAJ, 32019 XA F22 SPOLJ.ZAD.TOCKA IK,FAP,MB
89	34320000 -	LEZAJ, 32310 A SPOLJNI GLAVC.OS.832 FAP,MB
90	34320000 -	LEZAJ, 33021 UNUT.POGONSKOG TOCKA IK102,FAP
91	34320000 -	LEZAJ, 353263 EHA3 OSOVINICE RUKAVCA OSOV.832
92	34320000 -	LEZAJ, 365433 PREVRTACA POG.OS.IK102,FAP,MB
93	34320000 -	LEZAJ, 528983/331933 GLAVC.UN.O.832,SG,FAP,MB
94	34320000 -	LEZAJ, AKSIJALNI RUKAVCA PR.OS.MAN,FAP,MB,ZIU
95	34320000 -	LEZAJ, VALJKASTI UNUTR.DIFERENCIJALA OSOV.H07
96	34320000 -	SEMERING, 42X55X9 PREVRTACA SPOLJ.IK,FAP,MB
97	34320000 -	SEMERING, 42X58X7 PREVRTACA UNUTR.IK,FAP,MB
98	34320000 -	SEMERING, 100X130X13 GLAVCINE OSOV.832,FAP,MB
99	34320000 -	SEMERING, 140X170X15 GLAVC.POG.OS.118 IK,ZIU
100	34320000 -	LEZAJ, 32312 B KONUS.ZUPC.DIF.OS.118 IK,ZIU
101	34320000 -	SEMERING, 85X110X13 DIFERENC.OSOV.118 IK,ZIU
102	34320000 -	PRSTEN, GUMENI 237X4 KUCISTA PLANETARA OS.118
103	34320000 -	KLIZAC, SEMERINGA GLAVC.POG.OS. IK,FAP,O405
104	34320000 -	LEZAJ, 33215 Q KONUSNOG ZUPCANIKA DIF. OS.118
105	34320000 -	LEZAJ, 32314 A KONUSNOG ZUPC. DIFER. OS.118
106	34320000 -	LEZAJ, 32215 F KONUSNOG ZUPC. DIF. OS.118
107	34320000 -	PRENOSNIK, DIFERENCIJALNI OSOVINE H07- SKLOP
108	34320000 -	SEMERING, 145X175/205-9/14 SA NOSACEM O405N
109	34320000 -	LEZAJ, 33113 GLAVNOG PRENOSNIKA MAN, MERC.
110	34320000 -	NAVRTKA, PRIRUBNICE DIFERENCIJALA MB,FAP
111	34320000 -	NOSA KO NIH PAPU A POGONSKE OSOVINE MB,103F,FAP
112	34320000 -	TANJIRI POLUGE STABILIZATORA A537,IK103F
113	34320000 -	NOSA KO NIH PAPU A POGONSKE OSOVINE MB,103F,FAP
114	34320000 -	NOSA KO NIH PAPU A POGONSKE OSOVINE MB,103F,FAP
115	34320000 -	SEMERING, 145X175X13 POG.TOC.UNUTR.IK,FAP
116	34320000 -	OSOVINICA, UPORNE SPONE NA ZAD.NOS.JASUKA FAP
117	34320000 -	NOSAC, SEMERINGA PREVRTACA POGON.OSOV. FAP
118	34320000 -	DRZAC, OSOLONCA VAZD.JAST.DONJI FAP A537,O405
119	34320000 -	PAPUCA, KOCNA PREDNJE OSOVINE MB,FAP

120	34320000 -	PAPUCA, KOCNA POGONSKE OSOVINE MB,FAP
121	34320000 -	SEMERING, 72X105X19 PRIRUB.DIFERE.MB,FAP
122	34320000 -	UZENGIJA, POGON.MOSTA M24X2X180X400 FAP A537
123	34320000 -	SET, Z=21/28 KONUSNO-TANJIRASTI A537.2
124	34320000 -	PRIRUBNICA, ?165 DIFERENCIJALA FAP A537.2/.3
125	34320000 -	CAURA, ZA CENTRIRANJE ZADNJ.TOCKA DUZA FAP537
126	34320000 -	SET, ZAPTIVKI SA SEMERINZIMA POG.OS.IK,FAP
127	34320000 -	OPRUGA, KOCNIH PAPUCA 246mm POVRATNA FAP,O405
128	34320000 -	OSIGURAC, TRAPEZNI KOCNIH PAPUCA FAP
129	34320000 -	OSLONAC, VAZDUSNOG JASTUKA DONJI FAP,O405
130	34320000 -	OSLONAC, VAZDUSNOG JASTUKA GORNJI MB,FAP A537
131	34320000 -	SET, DELOVA RUKAVCA PREDNJE OSOVINE FAP, O405
132	34320000 -	PODMETAC, RUKAVCA OSOVINE FAP, MB
133	34320000 -	DELOVI OSOVINE
134	34320000 -	DELOVI OSOVINE OS.H07-10 DL11.5
135	34320000 -	DELOVI OSOVINE HONP-13100-03, IK
136	34320000 -	DELOVI POGONSKE OSOVINE RABA618 IK103/201 (06)
137	34320000 -	DELOVI OSOVNINA TROLZA, BKM
138	34320000 -	VAZDUŠNI MEHOVI

(. 75.)

(. 76.)

77. 1.

29, 11000

www.gsp.co.rs.

a

5 ()

011/366-4087

343/16",

29, 11000
e-mail nabavke@gsp.co.rs

7/105

07 15

3 ()

« : IK, FAP, MERCEDES MAN,
ZF -
..... () -
31.01.2017. 10,00 -343/16».

e-mail).

31.01.2017. 09,30
29, 11000

31.01.2017. 10,00
29, 11000

25

40

II

1.

" " :
: 29,
: www.gsp.co.rs
: SR100049398
: 07022662
: 4931

2.

32.

3.

4.

5.

6.

: nabavke@gsp.co.rs,

III

ZF : IK, FAP, MERCEDES MAN,
-343/16 (: 34320000 -
)
()

IV

1: DELOVI DIFERENCIJALA OSOVINE ZF AV-132/87

1	114715301	DIFERENCIJAL, OSOVINE ZF AV132/87	A.000.350.18.22 Mercedes Benz 81.35100.6643 MAN 4472.203.007 ZF	kom	6
2	113894401	LIM, ZASTITNI PRIRUB.DIFERENC.OS.AV 132/87	A.000.353.08.91 Mercedes Benz 4460.311.206 ZF 0870-311-206 SOLARIS	kom	10
3	114758701	NAVRTKA, DIFERENCIJALA OS.ZF AV-132/87	0737.300.025 ZF A.000.990.33.60 Mercedes Benz 81.90620.0113 MAN 0737.300.072 ZF 81.90620.0118 MAN	kom	10
4	115927501	PRIRUBNICA, DIFERENCIJALA OSOVINE AV 132/87	4460.305.682 ZF	kom	2
5	114788901	PRSTEN, GUMENI 277X2.5 KUCISTA OS.AV-132/87/AV132II/87	0634.303.152 ZF A.025.997.60.48 Mercedes Benz 06.56930.6412 MAN 0634.100.284 ZF	kom	30
6	115909701	SET, Z=19/37 KONUS.TANJ.OS.AV 132/87 O345C E3	A.000.350.21.39 Mercedes Benz 4460.205.057 ZF 81.35199.6697 MAN 81.35199.6708 MAN	set	1
7	114757901	SET, Z=21/38 KONUS.TANJ.OS.AV132/87/AV 132II/87	4460.205.098 ZF A.000.350.28.39 Mercedes Benz 81.35199.6699 MAN 4460.205.137 ZF	set	2

2: LEŽAJEVI OSOVINE ZF AV-132/87

1	113652601	LEZAJ, 32213 J2/Q KUCISTA DIF.LEVI AV 132/87	A.009.981.98.01 Mercedes Benz 0635.373.018 ZF 06.32499.0003 MAN 81.93420.0306 MAN	kom	8
2	114716101	LEZAJ, DIFERENC.DESNI OSOVINE ZF AV 132/87	0750.117.210 ZF 81.93420.0309 MAN 0870-117-892 SOLARIS 0750.117.892 ZF	kom	8
3	114766801	LEZAJ, KONUS.ZUPC.AV- 132/87 UNUTR.IK112/218N	0750.117.860 ZF A.010.981.68.01 Mercedes Benz 81.93420.0369 MAN 0870-117-860 SOLARIS	kom	7
4	114767601	LEZAJ, KONUSNOG ZUPC.DIFERENC.AV-132/87 SPOLJ	0750.117.875 ZF 81.93420.0380 MAN 0870-117-875 SOLARIS	kom	8
5	117531901	LEZAJ, KUCISTA DIFERENC.LEVI OS.ZF AV132II/87	0750.117.891 ZF	kom	4
6	113571601	LEZAJ, NP 550563/NP546683 KONUS.ZUPC.AV132/87 O345CE3	A.010.981.37.01 Mercedes Benz 0735.371.894 ZF SET1253 TIMKEN	kom	3
7	114565701	LEZAJ, OSOVINICE MEDJUZUPCANIKA OS.AV 132/87	0750.117.785 ZF A.002.980.66.02 Mercedes Benz 81.93420.6093 MAN	kom	60
8	114566501	LEZAJ, POGONSKOG VRATILA OS.AV 132/87	0750.117.141 ZF A.010.981.02.01 Mercedes Benz 81.93420.0310 MAN 0870-117-141 SOLARIS	kom	28
9	114633501	LEZAJ, ZUPCANIKA REDUKTORA OS.ZF AV 132/87	0750.115.555 ZF A.002.981.96.12 Mercedes Benz	kom	30
10	114628901	LEZAJ, ZUPCANIKA REDUKTORA OSOVINE ZFAV132/87	0750.115.559 ZF A.003.981.07.12 Mercedes Benz 0707-000-090 SOLARIS	kom	16

3: DELOVI GLAVINE OSOVINE ZF AV-132/87/90

1	117647101	LIM, NOSACA GLAVCINE OS.AV 132	4472.336.309 ZF 36.32120.0001 MAN	kom	2
2	117651001	NOSAC, GLAVCINE TOCKA OSOVINE ZF AV 132	4472.336.330 ZF	kom	1
3	114459601	LIM, SIGURN.GLAVCINE OS.AV 132/87	4474.335.144 ZF A.000.353.12.73 Mercedes Benz 0630.754.031 ZF	kom	40
4	114352201	LEZAJ, 402731 GLAVCINE OS. ZF AV132/87	0735.371.966 ZF 36.93420.0009 MAN	kom	15
5	117529701	PRSTEN, 190X3 GUMENI NOSAC.GLAV.ZF AV132II/87	0634.314.406 ZF	kom	5
6	114578901	PRSTEN, GUMENI 192X3 NOSACA GLAVC.AV 132/87	0634.303.996 ZF A.024.997.63.48 Mercedes Benz	kom	20

4: PORTAL OSOVINE ZF AV-132/87

1	114772201	KUCISTE, DESNI PORTAL BOCNOG REDUKT.AV-132/87	4472.335.780 ZF	kom	1
2	114771401	KUCISTE, LEVI PORTAL BOCNOG REDUK.AV-132/87	4472.335.779 ZF	kom	3
3	117578501	NOSAC, DESNOG PORTALA ZF AV132/87	4472.335.637 ZF	kom	1
4	117577701	NOSAC, LEVOG PORTALA ZF AV132/87	4472.335.636 ZF	kom	1

5: DELOVI REDUKTORA OSOVINE ZF AV-132/87

1	114636001	MEDJUZUPCANIK, Z61 REDUKTORA OS.ZF AV 132/87	4472.335.325 ZF A.000.353.09.15 Mercedes Benz 81.37303.0017 MAN	kom	20
2	114630001	ZUPCANIK, Z-21 ULAZNI REDUK.OS.ZF AV132/87	4472.335.647 ZF A.000.353.08.10 Mercedes Benz	kom	15
3	114639401	ZUPCANIK, Z-67 POG.REDUKTORA OS.ZF AV 132/87	4472.335.433 ZF A.000.353.11.15 Mercedes Benz 81.37305.0040 MAN 0870-335-433 SOLARIS	kom	20
4	114626201	PODLOSKA, ELASTICNA REDUKTORA OS.ZF AV 132/87	0750.106.080 ZF A.001.993.23.26 Mercedes Benz 81.97651.0162 MAN	kom	20
5	114635101	PODLOSKA, ELASTICNA ZUPC.REDUK.OS.ZF AV132/87	0750.106.083 ZF A.001.993.27.26 Mercedes Benz 06.46019.0033 MAN	kom	20
6	114627001	PODLOSKA, REDUKTORA OSOVINE ZF AV 132/87	0750.101.175 ZF A.000.353.15.48 Mercedes Benz 0707-000-088 SOLARIS	kom	30
7	114629701	PODLOSKA, ZUPCANIKA REDUKTORA OS.ZF AV 132/87	0750.101.174 ZF A.001.353.29.77 Mercedes Benz	kom	15
8	114632701	PODLOSKA, ZUPCANIKA REDUKTORA OS.ZF AV 132/87	4472.335.681 ZF A.002.353.44.77 Mercedes Benz 81.90714.0503 MAN 0870-335-681 SOLARIS	kom	15
9	114634301	PODLOSKA, ZUPCANIKA REDUKTORA OS.ZF AV 132/87	0750.101.164 ZF A.002.353.53.77 Mercedes Benz 81.90714.0504 MAN 0820-340-004 SOLARIS	kom	15
10	114641601	POLUVRATILO, ZUPC.DESNOG REDUKT.OS.ZF AV 132/87	4472.335.667 ZF A.000.357.19.01 Mercedes Benz 4472.336.427 ZF	kom	10
11	114642401	POLUVRATILO, ZUPC.LEVOG REDUKT.OS.ZF AV132/87	4472.335.665 ZF A.000.357.18.01 Mercedes Benz 4472.336.425 ZF 0000-058-049 SOLARIS	kom	10
12	114631901	PRSTEN, OSIGUR. 42X2 ZUPC.REDUK.OS.ZFAV132/87	0630.532.159 ZF A.000.994.00.09 Mercedes Benz	kom	6
13	114638601	PRSTEN, ZAPT.64X3 MEDJUZUPC.REDUK.OS.AV132 /87	0634.313.574 ZF A.025.997.58.48 Mercedes Benz 0870-313-574 SOLARIS	kom	80

6: ZAVRTNJEVI OSOVINE ZF AV-132/87

1	114717001	ZAVRTANJ, DIFERENC.OSOVINE ZF AV132/87	0750.108.012 ZF A.006.990.43.04 Mercedes Benz 81.90490.0679 MAN 0870-108-012 SOLARIS	kom	210
2	113892801	ZAVRTANJ, M12X1.25X50 PRIR.DIF.AV132/87 O345C	A.010.990.96.01 Mercedes Benz 0636.020.398 ZF	kom	30
3	114789701	ZAVRTANJ, M14X1.5X140-10.9 TOREX AV-132/87	0501.321.377 ZF 81.90490.0824 MAN 0000-050-665 SOLARIS 0750.108.083 ZF	kom	100
4	114579701	ZAVRTANJ, M14X1.5X45-10.9 TOREX OS.AV 132/87	0501.321.372 ZF 81.90490.0822 MAN 0750.108.080 ZF	kom	80
5	114580001	ZAVRTANJ, M14X1.5X85-10.9 TOREX OS.AV 132/87	0501.321.375 ZF 0750.108.081 ZF	kom	120
6	114355701	ZAVRTANJ, M16X1.5X80 DISKA OSOV.ZF AV132/87	0636.020.153 ZF 0707-000-038 SOLARIS	kom	50
7	116101601	ZAVRTANJ, M20X1.5X55 OS.ZF AV132/87	0636.021.257 ZF A.012.990.73.01 Mercedes Benz 0707-000-046 SOLARIS	kom	40

7	114348401	GLAVCINA, POG.OSOVINE ZF AV132/87 IK112N/218N	4472.335.745 ZF 81.35701.0176 MAN	kom	16
8	114093001	POLUTKA, LEZAJA STABILIZ.GOR.POG.OS.IK112/218	8.218.35.30.013 Ikarbus	kom	4
9	114351401	SEMERING, 132X160X10 SPOLJ.GLAVC.OS.AV132/87	0734.319.643 ZF	kom	16
10	114353001	SEMERING, 132X172X12 BF1 BRUSS 76880-00 UNUTR	0734.319.644 ZF	kom	15
11	114356501	ZAVRTANJ, M18X1.5X50 POLUVRATILA OS.AV132/87	0636.021.250 ZF 0707-000-044 ZF	kom	40
12	114637801	OSOVINICA, LEZAJA MEDJUJ.REDUK.OS.ZF AV132/87	4472.335.822 ZF A.000.991.28.01 Mercedes 85.35107.0001 MAN 0720-385-075 ZF	kom	4
13	114640801	PRSTEN, IMPULSNI Z-100 REDUKT.OS.ZF AV 132/87	4472.335.292 ZF A.013.542.15.17 Mercedes 81.35613.0045 MAN	kom	4
14	117528901	KUCISTE, LEVI PORTAL BOC.REDUKT.OS.AV132II/87	4472.336.347 ZF	kom	2
15	117779601	KUCISTE, DESNI PORTAL BOCNOG REDUKTORA OSOVINE AV132II/87	4472.336.348 ZF	kom	1

16	117648001	NOSAC, AMORT./JASTUKA DESNI OS.AV 132II/87	4472.336.272 ZF	kom	1
17	117649801	NOSAC, AMORT./JASTUKA LEVI OS.AV132II/87	4472.336.273 ZF	kom	1
18	112838801	SEMERING, 90x125x12/19 PRIR.DIF.OS.AV 132/87	0734.319.589 ZF A.023.997.27.47 Mercedes 81.96503.0326 MAN	kom	20

19: PODLOŠKE ZA PODEŠAVANJE OSOVINE ZF AV-132/87

1	115463001	PODLOSKA, KONUSNOG.ZUPC. A=0,96 AV-132	A.000.353.30.77 Mercedes Benz 0730.110.457 ZF	kom	1
2	115465601	PODLOSKA, KONUSNOG.ZUPC. A=1,02 AV-132	A.000.353.32.77 Mercedes Benz 0730.110.459 ZF 0870-110-459 SOLARIS	kom	1
3	115466401	PODLOSKA, KONUSNOG.ZUPC. A=1,05 AV-132	A.000.353.33.77 Mercedes Benz 0730.110.460 ZF	kom	1
4	115467201	PODLOSKA, KONUSNOG.ZUPC. A=1,08 AV-132	A.000.353.34.77 Mercedes Benz 0730.110.461 ZF	kom	1
5	115468001	PODLOSKA, KONUSNOG.ZUPC. A=1,11 AV-132	A.000.353.35.77 Mercedes Benz 0730.110.462 ZF 0870-110-462 SOLARIS	kom	1
6	115470201	PODLOSKA, KONUSNOG.ZUPC. A=1,17 AV-132	A.000.353.37.77 Mercedes Benz 0730.110.464 ZF 81.90714.0212 MAN 0870-110-464 SOLARIS	kom	1
7	115472901	PODLOSKA, KONUSNOG.ZUPC. A=1,23 AV-132	A.000.353.39.77 Mercedes Benz 0730.110.466 ZF	kom	1
8	115473701	PODLOSKA, KONUSNOG.ZUPC. A=1,26 AV-132	A.000.353.40.77 Mercedes Benz 0730.110.467 ZF	kom	1
9	115474501	PODLOSKA, KONUSNOG.ZUPC. A=1,29 AV-132	A.000.353.41.77 Mercedes Benz 0730.110.468 ZF	kom	1
10	115540701	PODLOSKA, LEZAJA BOCNOG ZUPC.S=1,19 AV-132	0730.007.916 ZF A.001.353.93.77 Mercedes Benz	kom	2
11	115541501	PODLOSKA, LEZAJA BOCNOG ZUPC.S=1,22 AV-132	0730.007.917 ZF A.001.353.94.77 Mercedes Benz	kom	2
12	115542301	PODLOSKA, LEZAJA BOCNOG ZUPC.S=1,25 AV-132	0730.007.918 ZF A.001.353.95.77 Mercedes Benz	kom	2
13	115543101	PODLOSKA, LEZAJA BOCNOG ZUPC.S=1,28 AV-132	0730.007.919 ZF A.001.353.96.77 Mercedes Benz	kom	2
14	115544001	PODLOSKA, LEZAJA BOCNOG ZUPC.S=1,31 AV-132	0730.007.920 ZF A.001.353.97.77 Mercedes Benz 0870-007-920 SOLARIS	kom	4

15	115546601	PODLOSKA, LEZAJA BOCNOG ZUPC.S=1,37 AV-132	0730.007.922 ZF A.001.353.99.77 Mercedes Benz	kom	4
16	115547401	PODLOSKA, LEZAJA BOCNOG ZUPC.S=1,40 AV-132	0730.007.923 ZF A.002.353.00.77 Mercedes Benz 0820-340-012 SOLARIS	kom	2
17	115548201	PODLOSKA, LEZAJA BOCNOG ZUPC.S=1,43 AV-132	0730.007.924 ZF A.002.353.01.77 Mercedes Benz 81.90714.0038 MAN	kom	4
18	115550401	PODLOSKA, LEZAJA BOCNOG ZUPC.S=1,49 AV-132	0730.007.926 ZF A.002.353.03.77 Mercedes Benz	kom	2
19	115552001	PODLOSKA, LEZAJA BOCNOG ZUPC.S=1,55 AV-132	0730.007.928 ZF A.002.353.05.77 Mercedes Benz	kom	4
20	115554701	PODLOSKA, LEZAJA BOCNOG ZUPC.S=1,61 AV-132	0730.007.930 ZF A.002.353.07.77 Mercedes Benz	kom	2
21	115555501	PODLOSKA, LEZAJA BOCNOG ZUPC.S=1,64 AV-132	0730.007.931 ZF A.002.353.08.77 Mercedes Benz 81.90714.0045 MAN 0870-007-931 SOLARIS	kom	1
22	115521001	PODLOSKA, LEZAJA MEDJUZUPCANIKA S=2,80 AV-132	0730.007.970 ZF A.001.353.74.77 Mercedes Benz 81.90714.0083 MAN	kom	12
23	115522901	PODLOSKA, LEZAJA MEDJUZUPCANIKA S=2,85 AV-132	0730.007.971 ZF A.001.353.75.77 Mercedes Benz 0870-007-971 SOLARIS	kom	16
24	115523701	PODLOSKA, LEZAJA MEDJUZUPCANIKA S=2,90 AV-132	0730.007.972 ZF A.001.353.76.77 Mercedes Benz 0870-007-972 SOLARIS	kom	16
25	115524501	PODLOSKA, LEZAJA MEDJUZUPCANIKA S=2,95 AV-132	0730.007.973 ZF A.001.353.77.77 Mercedes Benz 0870-007-973 SOLARIS	kom	12
26	115525301	PODLOSKA, LEZAJA MEDJUZUPCANIKA S=3,00 AV-132	0730.007.974 ZF A.001.353.78.77 Mercedes Benz	kom	8
27	115426501	PODLOSKA, TANJIR.ZUPC. A=0,90 DESNA AV-132	0730.110.485 ZF A.000.353.65.77 Mercedes Benz 81.90702.0062 MAN	kom	4
28	115427301	PODLOSKA, TANJIR.ZUPC. A=0,93 DESNA AV-132	0730.113.189 ZF	kom	4
29	115428101	PODLOSKA, TANJIR.ZUPC. A=0,96 DESNA AV-132	0730.113.190 ZF	kom	2
30	115430301	PODLOSKA, TANJIR.ZUPC. A=1,02 DESNA AV-132	0730.113.192 ZF 81.90714.0773 MAN	kom	2
31	115431101	PODLOSKA, TANJIR.ZUPC. A=1,05 DESNA AV-132	0730.110.488 ZF A.000.353.71.77 Mercedes Benz	kom	2
32	115433801	PODLOSKA, TANJIR.ZUPC. A=1,11 DESNA AV-132	0730.113.194 ZF	kom	4
33	115434601	PODLOSKA, TANJIR.ZUPC. A=1,14 DESNA AV-132	0730.113.195 ZF 81.90714.0776 MAN	kom	2

34	115435401	PODLOSKA, TANJIR.ZUPC. A=1,17 DESNA AV-132	0730.113.196 ZF	kom	2
35	115436201	PODLOSKA, TANJIR.ZUPC. A=1,20 DESNA AV-132	A.000.353.77.77 Mercedes Benz 0730.110.491 ZF	kom	2
36	115437001	PODLOSKA, TANJIR.ZUPC. A=1,23 DESNA AV-132	0730.113.197 ZF 81.90714.0778 MAN	kom	1
37	115389701	PODLOSKA, TANJIR.ZUPC. S=0,30 LEVA AV-132	0730.107.934 ZF A.000.353.91.77 Mercedes Benz 81.90702.0008 MAN 0870-107-934 SOLARIS	kom	6
38	115390001	PODLOSKA, TANJIR.ZUPC. S=0,35 LEVA AV-132	0730.107.935 ZF A.000.353.92.77 Mercedes Benz 81.90702.0009 MAN	kom	6
39	115391901	PODLOSKA, TANJIR.ZUPC. S=0,40 LEVA AV-132	0730.107.936 ZF A.000.353.93.77 Mercedes Benz 81.90702.0010 MAN 0870-107-936 SOLARIS	kom	6
40	115392701	PODLOSKA, TANJIR.ZUPC. S=0,45 LEVA AV-132	0730.107.937 ZF A.000.353.94.77 Mercedes Benz 81.90702.0011 MAN	kom	3
41	115395101	PODLOSKA, TANJIR.ZUPC. S=0,60 LEVA AV-132	0730.107.940 ZF A.000.353.97.77 Mercedes Benz	kom	6
42	115397801	PODLOSKA, TANJIR.ZUPC. S=0,70 LEVA AV-132	0730.107.942 ZF A.000.353.99.77 Mercedes Benz	kom	6
43	115403601	PODLOSKA, TANJIR.ZUPC. S=1,00 LEVA AV-132	0730.107.948 ZF A.000.353.05.77 Mercedes Benz 81.90702.0022 MAN 0870-107-948 SOLARIS	kom	6
44	115405201	PODLOSKA, TANJIR.ZUPC. S=1,10 LEVA AV-132	0730.107.950 ZF A.000.353.07.77 Mercedes Benz 0870-107-950 SOLARIS	kom	4
45	115406001	PODLOSKA, TANJIR.ZUPC. S=1,15 LEVA AV-132	0730.107.951 ZF A.000.353.08.77 Mercedes Benz 0870-107-951 SOLARIS	kom	3
46	115410901	PODLOSKA, TANJIR.ZUPC. S=1,35 LEVA AV-132	0730.107.955 ZF	kom	4
47	115411701	PODLOSKA, TANJIR.ZUPC. S=1,40 LEVA AV-132	0730.107.956 ZF A.000.353.13.77 Mercedes Benz	kom	4
48	115412501	PODLOSKA, TANJIR.ZUPC. S=1,45 LEVA AV-132	0730.107.957 ZF	kom	6
49	115502401	PRSTEN, ODSTOJNI A=10,20 LEZ.KONUS.ZUP.AV-132	A.001.353.45.51 Mercedes Benz 0730.161.112 ZF 0870-161-112 Solaris	kom	1
50	115501601	PRSTEN, ODSTOJNI A=10,25 LEZ.KONUS.ZUP.AV-132	A.001.353.44.51 Mercedes Benz 0730.161.113 ZF 0870-161-113 SOLARIS	kom	2

51	115500801	PRSTEN, ODSTOJNI A=10,30 LEZ.KONUS.ZUP.AV-132	A.001.353.43.51 Mercedes Benz 0730.161.114 ZF 0870-161-114 SOLARIS	kom	1
52	115499001	PRSTEN, ODSTOJNI A=10,35 LEZ.KONUS.ZUP.AV-132	0730.161.115 ZF 81.93030.0184 MAN	kom	2
53	115498201	PRSTEN, ODSTOJNI A=10,40 LEZ.KONUS.ZUP.AV-132	A.001.353.41.51 Mercedes Benz 0730.161.116 ZF 0870-161-116 SOLARIS	kom	2
54	115497401	PRSTEN, ODSTOJNI A=10,45 LEZ.KONUS.ZUP.AV-132	0730.161.117 ZF 0870-161-117 SOLARIS	kom	2
55	115496601	PRSTEN, ODSTOJNI A=10,50 LEZ.KONUS.ZUP.AV-132	A.001.353.39.51 Mercedes Benz 0730.161.118 ZF 81.93030.0187 MAN	kom	2

20: DELOVI OSOVINE VOK 07-B17, IK112/218M

1	117268901	CAURA, GUMENA MANJA STABILIZ.OS.VOK 07-B17	81.43722.0059 MAN	kom	10
2	117269701	CAURA, GUMENA DVOD.STABILIZ. OS.VOK 07-B17	81.43704.0077 MAN	kom	4

RABA BDI /BDR

21	115190801	VALJČIC, KOCNE PAPUCE OS.BDI28MD	860.00.3341.050 RABA 300153 RABA	kom	20
22	115234301	ODBOJNIK, GUMENI POG.OSOVINE RABA IK	8.017.35.103 Ikarbus	kom	20
23	108360001	OPRUGA, KOC.PAPUCA DUZA POG.OSOV.BDI23 IK202	359161 RABA	kom	80
24	108689801	SEMERING, 85X132X13 SA NOSACEM DIFER.IK103/	551 989 98 RABA	kom	40
25	108358901	PAPUCA, KOCNA POGONSKE OSOVINE BDI23 IK202	865.12.3341.010 RABA 573480 RABA	kom	24

ZF RL-85A

26	114488001	KLIP, NOSAC DONJI VAZD.JAST.PRED.OSOV. ZF RL	0501.323.864 ZF	kom	6
27	114487101	KLIP, NOSAC VAZD.JAST.POG. I NEUTR.OS. ZF RL	0501.323.799 ZF	kom	6
28	114118001	LEZAJ, IGLICASTI F-91943INA RUKAV.OS.ZF RL-85	0735.298.256 ZF 0735.300.973 ZF	kom	100
29	113283001	LEZAJ, 32309 GLAVC.TOCKA SPOLJ.OS. ZF RL-85A IK112/218N	0750.117.524 ZF	kom	40
30	114006001	LEZAJ, AKSIJALNI OSOVINICE RUKAVCA OS. ZF RL-85A IK- 112/218	0750.115.411 ZF 0735.301.286 ZF 36.44210.0000 MAN	kom	60
31	114011601	LEZAJ, 534565 GLAVC.TOCKA UNUTR. OS. ZF RL-85A IK112/218N	0750.117.516 ZF	kom	28
32	114022101	POKLOPAC, RUKAVCA IK 112N/218N	4474.385.002 ZF	kom	6
33	114116301	OSOVINICA, RUKAVCA OSOVINE ZF RL-85A	4474.385.019 ZF	kom	20
34	114120101	ZAVRTANJ, M16X1.5X50-10.9 DISKA OS.ZF RL-85A	0636.101.741 ZF	kom	40
35	114310701	SEMERING, 100X140X15 OS.ZF RL- 85A IK112N/218N	0750.111.402 ZF	kom	20
36	114492801	ZAVRTANJ, M18X1.5X60 10.9 PRED.OS.ZF RL-85A	0636.020.253 ZF 0870-020-253 Solaris	kom	40
37	115037501	RUKAVAC, PREDNJE OSOVINE ZF- RL85A IK112/218N	4474.385.134 ZF 36.44201.6000 MAN	kom	1

POGONSKA SG/SL

38: PREVRTA , KO NIH PAPU A POG.OSOVINE HO9 SG/SL

1	106099601	PREVRTAC, KOC.PAPUCA POGON.OS.HO9 DESNI SG/SL	81.50301.0112 MAN	kom	14
2	106100301	PREVRTAC, KOC.PAPUCA POGON.OS.HO9 LEVI SG/SL	81.50301.0113 MAN	kom	14

39: LIM ZAŠTITNI OSOVINE HOM9 SG313/SL283

1	113783201	LIM, ZASTITNI OSOVINE HOM9 DESNI SG313/SL283	81.50101.0222 MAN	kom	40
2	113784001	LIM, ZASTITNI OSOVINE HOM9 LEVI SG313/SL283	81.50101.0221 MAN	kom	40

40	108946301	LEZAJ, PR.OS.SA INTEG.KUCIS. H0V9 SG313/SL283	81.93420.0349 MAN	kom	10
41	112690301	PRSTEN, GUMENI KOCNOG VALJKA MAN SG313	06.56936.1051 MAN	kom	60
42	113748401	KUCISTE, PLANET.ZUPC.POG.OS. H09-1300 SG 313	81.35114.6113 MAN	kom	14
43	115285801	LEZAJ, 33022 UNUT.110x170x47 POG.TOCKA OS.H09	06.32499.0155 MAN	kom	6
44	115349801	SEMERING, 85X145X12/25-FPM/NBR GL.PRENOSN.SG	06.56289.0319 MAN	kom	6
45	116267501	SEMERING, 145X175X15.5WD-NBR-Z=100 OS.H09 SG	06.56289.0371 MAN	kom	20
46	116432501	GLAVCINA, TOCKA POGONSKE OSOVINE H09-13120	81.35701.0141 MAN	kom	8
47	116716201	OPRUGA, KOCNE PAPUCE SG 313	81.97610.0317 MAN	kom	80
48	111089601	KLIP, NOSAC DONJI VAZ.JASTUKA PRED.OS.SG313	81.43603.0060 MAN	kom	20
49	111090001	KLIP, NOSAC DONJI VAZ.JASTUKA POG.OS.SG313	81.43603.0055 MAN	kom	18
50	109822501	OSIGURAC, TRAPEZNI KOC.PAPUCA SL/SG, A537	81.90801.0225 MAN 346.994.01.09 FAP	kom	200
51	110853001	PAPUCA, KOCNA POGONSKE OSOVINE MAN SG313/283	81.50201.0138 MAN	kom	32
52	105591701	PRSTEN, GUMENI 255X5 KUCISTA TRKACA SG/SL	06.56341.4254 MAN	kom	100

PREDNJA V9-82L-29, SG/SL

53: RUKUNICA PREDNJE OSOVINE V9-82L-29 SL/SG

1	114727701	RUKUNICA, PREDNJE OSOV.V9-82L-29 SL/SG DESNA	81.46701.0330 MAN	kom	1
2	114728501	RUKUNICA, PREDNJE OSOV.V9-82L-29 SL/SG LEVA	81.46701.0331 MAN	kom	1

54	110650301	SET, DELOVA RUKAVCA OSOVINE V9-82L SG313	81.44205.6023 MAN	set	40
55	113677101	PRSTEN, GUMENI ?62X3 OSOVINICE RUKAVCA SG313	06.56939.0016 MAN	kom	25

A O345C/O345C E3

56: POLUVRATILO POGONSKE OSOVINE O345C

1	110029701	POLUVRATILO, POGONSKE OSOVINE O345C E2 LEVO	A.659.357.14.01 Mercedes Benz	kom	1
2	110030001	POLUVRATILO, POGONSKE OSOVINE O345C E2 DESNO	A.659.357.15.01 Mercedes Benz	kom	1

57: PREVRTA I POGONSKE OSOVINE O345C

1	110089001	PREVRTAC, KOCNIH PAPUCA POG.OSOV.DESNI O345C	A.623.423.02.36 Mercedes Benz	kom	7
2	110090401	PREVRTAC, KOCNIH PAPUCA POG.OSOV.LEVI O345C	A.623.423.01.36 Mercedes Benz	kom	5

58: PREVRTA I POGONSKE OSOVINE O345C/E3

1	112850701	PREVRTAC, KOCNIH PAPUCA POG.OS. LEVI O345C/E3	A.000.423.15.36 Mercedes Benz 0501.315.950 ZF	kom	3
2	112851501	PREVRTAC, KOCNIH PAPUCA POG.OS.DESNI O345C/E3	A.000.423.16.36 Mercedes Benz 0501.315.951 ZF	kom	3

59: KU IŠTA, PORTALI BO NOG REDUKTORA O345C/E3

1	113964901	KUCISTE, LEVI PORTAL BOCNOG REDUKT.O345C E3	A.000.351.13.05 Mercedes Benz 4472.335.795 ZF	kom	2
2	113965701	KUCISTE, DESNI PORTAL BOCNOG REDUKT.O345C E3	A.000.351.14.05 Mercedes Benz 4472.335.796 ZF	kom	1

60: SETOVI RUKAVCA O345

1	109971001	SET, DELOVA RUKAVCA PREDNJE OSOVINE DES. O345	A.655.330.07.19 Mercedes Benz	set	10
2	109970101	SET, DELOVA RUKAVCA PREDNJE OSOVINE LEVI O345	A.655.330.06.19 Mercedes Benz	set	10

61	109977901	GLAVCINA, TOCKA PREDNJE OSOVINE O345C	A.623.334.01.01 Mercedes Benz	kom	2
62	109996501	OPRUGA, KOCNIH PAPUCA 234mm POVRATNA O345C	A.945.993.00.10 Mercedes Benz	kom	80
63	112581801	SEMERING, 130X170X18/20 POG.GLAVCINE O345C/E3	A.013.997.59.46 Mercedes Benz 0734.319.610 ZF	kom	26
64	109374601	SET, DELOVA VALJICA KOCNE PAPUCE O345,FAP,MB	A.307.420.03.39 Mercedes Benz	set	60
65	109460201	SET, DELOVA PREVRTACA KOCNIH PAPUCA O345C	A.360.420.00.43 Mercedes Benz	set	25
66	109935301	DRZAC, OSOLONCA VAZDUSNOG JAST.DONJI O345C	A.357.327.17.40 Mercedes Benz	kom	10
67	117036801	KUCISTE, SFERNOG LEZAJA PREVRTACA POGONSKE OSOVINE O345C E2	A.357.423.16.33 Mercedes Benz	kom	4
68	110931601	PAPUCA, KOCNA POGONSKE OSOVINE CONECTO	A.003.420.67.20 Mercedes Benz 0501.212.658 ZF	kom	2
69	110940501	LEZAJ, 32021 KBS GLAVCINE POG.OS.SPOLJNI CONE	A.009.981.94.01 Mercedes Benz	kom	5
70	110989801	LEZAJ, JM822049/JM822010 UNUT.POG.TOCKA O345C	A.010.981.38.01 Mercedes Benz 0750.117.314N ZF	kom	6
71	111522701	GLAVCINA, TOCKA POGONSKE OS.ZP82 O345/E3	A.000.356.04.01 Mercedes Benz 4472.335.160 ZF	kom	4
72	115845701	NOSAC, PREVRTACA LEVI POG.OS.AV132/87 O345C	A.000.352.06.40 Mercedes Benz 4472.335.625 ZF	kom	2
73	115871601	POKLOPAC, KOCNOG SISTEMA (ANKER PLATNA) O345C	A.000.423.10.20 Mercedes Benz	kom	8
74	112852301	SET, DELOVA PREVRTACA KOCNIH PAPUCA O345C/E3	A.013.997.05.46 Mercedes Benz 0501.298.041 ZF	set	20
75	112860401	SET, OPRUGA KOCNIH PAPUCA POG.OSOV. O345C/E3	A.007.993.56.01 Mercedes Benz 0501.298.042 ZF	set	12
76	113224501	SEMERING, OBLOGE POGONSKE OSOVINE O345 C E3	A.024.997.55.47 Mercedes Benz 0734.300.185 ZF	kom	12
77	113229601	OSIGURAC, NAVRTKE OBLOGE POGONSKE OS. O345 E3	A.000.353.06.73 Mercedes Benz	kom	3
78	114010801	ZAVRTANJ, M20X1.5X65 10.9 KOC.CIL. O345C E3	0636.101.829 ZF A.013.990.19.01 Mercedes Benz 06.02099.0364 MAN	kom	40
79	114041801	OSIGURAC, OSOVINICE KOCNE PAPUCE ZA O345C E3	A.000.421.14.73 Mercedes Benz 0501.303.432 ZF	kom	10
80	114042601	OSOVINICA, KOCNE PAPUCE ZA O345C E3	A.000.421.26.74 Mercedes Benz 0501.314.719 ZF	kom	8
81	114088401	SET, Z=17/29 KONUSNO-TANJIRASTI DIF.OS.H07/8	A.357.350.05.39 Mercedes Benz	set	10

82: DELOVI STABILIZATORA IK218 2012

1	117053801	NOSAC, DESNI STABILIZ.NEUTR.OS.IK218 2012	8.218.50.30.024 IKARBUS	kom	4
2	117052001	NOSAC, LEVI STABILIZ.NEUTRALNE OS.IK218 2012	8.218.50.30.016 IKARBUS	kom	4
3	117090201	NOSAC, STABILIZ.POG.OS. IK218 2012	8.218.35.30.043 IKARBUS	kom	4
4	117091001	NOSAC, STABILIZ.POG.OS. IK218 2012	8.218.35.30.031 IKARBUS	kom	4

83: PODMETAC, RUKAVCA OSOVINE 832

1	100231701	PODMETAC, RUKAVCA 0.12mm OSOVINE 832	375949 RABA 832.00.3102.026 RABA	kom	80
2	100232501	PODMETAC, RUKAVCA 0.25mm OSOVINE 832	375950 RABA 832.00.3102.027 RABA	kom	80
3	100239201	PODMETAC, RUKAVCA 0.4mm OSOVINE 832	375951 RABA 832.00.3102.028 RABA	kom	80
4	100234101	PODMETAC, RUKAVCA 0.6mm OSOVINE 832	375952 RABA 832.00.3102.029 RABA	kom	100
5	100235001	PODMETAC, RUKAVCA 0.8mm OSOVINE 832	832.00.3102.024 RABA 504082 RABA	kom	90
6	100236801	PODMETAC, RUKAVCA 1.0mm OSOVINE 832	504083 RABA 832.00.3102.025 RABA	kom	80

84	108274401	KLIP, NOSAC DONJI VAZDUSNOG JASTUKA IK	8.164.35.051 IKARBUS	kom	40
85	108273601	PLOCA, VAZDUSNOG JASTUKA GORNJA IK	174754 RABA	kom	100
86	100335601	LEZAJ, 30206 PRAT.OS.831/ MEDJUPOL. GUR. SP.A537	108.120.601 N.000720.030206 Mercedes Benz	kom	50
87	103789701	LEZAJ, 30205 MEDJUPOLU.GUR.SPONA IK- 166/A537	N.000720.030205 Mercedes Benz	kom	15
88	105558501	LEZAJ, 32019 XA F22 SPOLJ.ZAD.TOCKA IK,FAP,MB	A.001.980.26.02 Mercedes Benz 06.32489.0012 MAN 06.32489.0114 MAN	kom	10
89	100246501	LEZAJ, 32310 A SPOLJNI GLAVC.OS.832 FAP,MB	A.001.981.76.05 Mercedes Benz 06.32499.0016 MAN	kom	40

			/		
90	105560701	LEZAJ, 33021 UNUT.POGONSKOG TOCKA IK102,FAP	A.000.980.97.02 Mercedes Benz 06.32499.0038 MAN 06.32499.0126 MAN 06.32499.0188 MAN	kom	6
91	100227901	LEZAJ, 353263 EHA3 OSOVINICE RUKAVCA OSO.V.832	396840 RABA	kom	380
92	105570401	LEZAJ, 365433 PREVRTACA POG.OS.IK102,FAP,MB	06.36959.0014 MAN A.000.981.60.31 Mercedes Benz 06.36959.0035 MAN	kom	120
93	100251101	LEZAJ, 528983/331933 GLAVC.UN.O.832,SG,FAP,MB	06.32499.0043 MAN A.005.981.30.05 Mercedes Benz	kom	30
94	105563101	LEZAJ, AKSIJALNI RUKAVCA PR.OS.MAN,FAP,MB,ZIU	06.32579.0043 MAN A.001.981.78.18 Mercedes Benz	kom	30
95	111694001	LEZAJ, VALJKASTI UNUTR.DIFERENCIJALA OSO.V.H07	A.003.981.89.05 Mercedes Benz HM 807048/10 TIMKEN	kom	24
96	100134501	SEMERING, 42X55X9 PREVRTACA SPOLJ.IK,FAP,MB	A.014.997.21.47 Mercedes Benz	kom	200
97	105588701	SEMERING, 42X58X7 PREVRTACA UNUTR.IK,FAP,MB	A.012.997.41.47 Mercedes Benz 06.56279.0311 MAN 06.56279.0310 MAN	kom	150
98	100252001	SEMERING, 100X130X13 GLAVCINE OSO.V.832,FAP,MB	A.009.997.67.47 Mercedes Benz DIN 3760	kom	30
99	100483201	SEMERING, 140X170X15 GLAVC.POG.OS.118 IK,ZIU		kom	40
100	100450601	LEZAJ, 32312 B KONUS.ZUPC.DIF.OS.118 IK,ZIU	0.112965 RABA	kom	2
101	100452201	SEMERING, 85X110X13 DIFERENC.OSOV.118 IK,ZIU	108.138.553 Ikarbus	kom	4
102	100466201	PRSTEN, GUMENI 237X4 KUCISTA PLANETARA OS.118	581.00.3330.046 RABA	kom	10
103	105934301	KLIZAC, SEMERINGA GLAVC.POG.OS. IK,FAP,O405	A.355.356.12.15 Mercedes Benz 81.35710.0045 MAN 81.35710.0093 MAN 81.35710.6015 MAN	kom	10
104	111326701	LEZAJ, 33215 Q KONUSNOG ZUPCANIKA DIF. OS.118	33215Q	kom	2
105	111327501	LEZAJ, 32314 A KONUSNOG ZUPC. DIFER. OS.118	32314A	kom	40
106	111328301	LEZAJ, 32215 F KONUSNOG ZUPC. DIF. OS.118	32215F	kom	2
107	111358501	PRENOSNIK, DIFERENCIJALNI OSOVINE H07- SKLOP	A.387.350.59.23 Mercedes Benz	set	15
108	108837801	SEMERING, 145X175/205- 9/14 SA NOSACEM O405N	015.997.49.47 Mercedes Benz	kom	50
109	111368201	LEZAJ, 33113 GLAVNOG PRENOSNIKA MAN, MERC.	06.32499.0108 MAN	kom	48
110	110024601	NAVRTKA, PRIRUBNICE DIFERENCIJALA MB,FAP	A.385.351.06.72 Mercedes Benz	kom	8

111: NOSA KO NIH PAPU A POGONSKE OSOVINE MB,103F,FAP

1	107319201	NOSAC, KOCNIH PAPUCA POG.OS. MB,103F,FAP(A/K)	A.346.423.03.06 Mercedes Benz A.942.423.03.06 Mercedes Benz 250615 FAP	kom	12
2	107320601	NOSAC, KOCNIH PAPUCA PRED.OS.MB,103F,FAP(A/K)	250618 FAP A.346.421.31.06 Mercedes Benz	kom	14

112: TANJIRI POLUGE STABILIZATORA A537,IK103F

1	107609401	TANJIRIC, POLUGE STABILIZ.GORNJI A537,IK103F	321.323.01.67 Mercedes Benz	kom	8
2	107610801	TANJIRIC, POLUGE STABILIZ.DONJI A537, IK103F	321.323.02.67 Mercedes Benz	kom	16

113: NOSA KO NIH PAPU A POGONSKE OSOVINE MB,103F,FAP

1	109705901	PREVRTAC, KOC.PAPUCA PRED.OSOV.DESNI FAP,MB	A.305.421.19.36 Mercedes Benz	kom	12
2	109706701	PREVRTAC, KOC.PAPUCA PRED.OSOV.LEVI FAP,MB	A.305.421.18.36 Mercedes Benz	kom	8
3	109707501	PREVRTAC, KOC.PAPUCA POGON.OS.DESNI FAP,O405	A.307.423.09.36 Mercedes Benz	kom	12
4	109708301	PREVRTAC, KOC.PAPUCA POGON.OSOV.LEVI FAP,O405	A.307.423.08.36 Mercedes Benz	kom	12

114: NOSA KO NIH PAPU A POGONSKE OSOVINE MB,103F,FAP

1	109814401	NOSAC, VAZDUSNIH JASTUKA POG.OS. A537 LEVI	273851 FAP	kom	1
2	109815201	NOSAC, VAZDUSNIH JASTUKA POG.OS. A537 DESNI	273852 FAP	kom	1

115	106579301	SEMERING, 145X175X13 POG.TOC.UNUTR.IK,FAP	011.997.01.46 A.013.997.65.47 Mercedes Benz 06.56289.0333 MAN	kom	180
116	107264101	OSOVINICA, UPORNE SPONE NA ZAD.NOS.JASUKA FAP	166066 FAP	kom	10
117	107658201	NOSAC, SEMERINGA PREVRTACA POGON.OSOV. FAP	346.423.00.58 Mercedes Benz	kom	20
118	108037701	DRZAC, OSOLONCA VAZD.JAST.DONJI FAP A537,O405	A.307.320.08.43 Mercedes Benz A.302.320.01.43 Mercedes Benz	kom	12
119	109239101	PAPUCA, KOCNA PREDNJE OSOVINE MB,FAP	A.305.420.11.19 Mercedes Benz	kom	10
120	109370301	PAPUCA, KOCNA POGONSKE OSOVINE MB,FAP	A.659.420.14.19 Mercedes Benz	kom	20
121	109698201	SEMERING, 72X105X19 PRIRUB.DIFERE.MB,FAP	A.020.997.06.47 Mercedes Benz 06.56279.0362 MAN	kom	30
122	109781401	UZENGIJA, POGON.MOSTA M24X2X180X400 FAP A537	233845 FAP	kom	4
123	111357701	SET, Z=21/28 KONUSNO- TANJIRASTI A537.2	A.355.350.30.39 Mercedes Benz A.355.350.51.39 Mercedes Benz	set	2
124	114227501	PRIRUBNICA, ?165 DIFERENCIJALA FAP A537.2/.3	305.353.14.45 Mercedes Benz	kom	2
125	113308001	CAURA, ZA CENTRIRANJE ZADNJ.TOCKA DUZA FAP537	03.112.00.42.0 BPW	kom	800
126	113666601	SET, ZAPTIVKI SA SEMERINZIMA POG.OS.IK,FAP	A.624.356.00.80 Mercedes Benz 08864 FEBI	set	350
127	107728701	OPRUGA, KOCNIH PAPUCA 246mm POVRATNA FAP,O405	A.617.993.11.10 Mercedes Benz 617.993.06.10 FAP	kom	40
128	107736801	OSIGURAC, TRAPEZNI KOCNIH PAPUCA FAP	A.381.994.00.09 Mercedes Benz	kom	30
129	108276001	OSLONAC, VAZDUSNOG JASTUKA DONJI FAP,O405	A.357.320.01.34 Mercedes Benz A.357.320.15.34 Mercedes Benz 301.320.01.75 FAP	kom	15
130	108033401	OSLONAC, VAZDUSNOG JASTUKA GORNJI MB,FAP A537	A.322.320.03.35 Mercedes Benz A.612.320.00.35 Mercedes Benz	kom	6
131	107390701	SET, DELOVA RUKAVCA PREDNJE OSOVINE FAP, O405	06015 FEBI 391.330.00.19 FAP	set	30

132: PODMETAC, RUKAVCA OSOVINE FAP, MB

1	107624801	PODMETAC, RUKAVCA 1.9mm PRED.OSOVINE FAP,MB	A.655.332.02.52 Mercedes Benz 389.332.02.52 FAP	kom	4
2	107626401	PODMETAC, RUKAVCA 2.1mm PRED.OSOVINE FAP,MB	389.332.04.52 FAP A.655.332.04.52 Mercedes Benz	kom	6
3	107629901	PODMETAC, RUKAVCA 2.3mm PRED.OSOVINE FAP,MB	A.655.332.06.52 Mercedes Benz 389.332.06.52 FAP	kom	6

133: DELOVI OSOVINE

1	116429501	SEMERING, POGONSKE GLAVCINE SPOLJNI IK218M	36.96503.0004 MAN 36.96503.0016 MAN	kom	4
2	116427901	SEMERING, POGONSKE GLAVCINE UNUTRASNI IK218M	36.96503.0003 MAN 36.96503.0017 MAN	kom	4

134: DELOVI OSOVINE OS.H07-10 DL11.5

1	114644001	NAVRTKA, BOCNA DIFERENC.LEVA OS.H07-10 DL11.5	A.371.353.00.25 MB	kom	7
2	114645901	NAVRTKA, BOCNA DIFEREN.DESNA OS.H07-10 DL11.5	A.355.350.03.43 MB	kom	7

135: DELOVI OSOVINE HONP-13100-03, IK

1	117725701	SET, Z=18/35 I=1.944 KONUSNO- TANJIRASTI OS.HONP-13100-03	36.35101.6005 MAN	set	2
2	117769901	KUCISTE, LEVI PORTAL BOC.REDUKTORA OSOVINE HONP- 13100-03	81.35421.0027 MAN 4472.336.445 ZF	kom	1
3	117770201	KUCISTE, DESNI PORTAL BOC.REDUKTORA OSOVINE HONP- 13100-03	81.35421.0026 MAN 4472.336.446 ZF	kom	1

136: DELOVI POGONSKE OSOVINE RABA618 IK103/201 (06)

1	116827401	POKLOPAC, REDUKTORA POG.OS.618.08	118.34.3330.031 RABA	kom	1
2	116831201	PRENOSNIK, PLANETARNI SKLOP OS.618.08	518.74.3340.004 RABA	kom	2

137: DELOVI OSOVNINA TROLZA, BKM

			/		
1	212072001	ISPARIVAC, DIFERENCIJALA ZIU,TROLZA	AT-01-DS-09-011	kom	5
2	212187501	ZUPCANIK, POGONSKI KONUSNI Z=14 DIFER.BKM333	APT28-96AS11083 084901 RABA	kom	5

138: VAZDUŠNI MEHOVI

1	100177901	MEH, VAZDUSNI JASTUK B159 260X370-2K IK	0501.323.798 (ZF) V 1E26A (VIBRACOUSTIC)	kom	160
2	108039301	MEH, VAZDUSNI JASTUK S-132 FAP,MB,IK103F	A.000.327.01.01 (Mercedes Benz)	kom	90
3	109136001	MEH, VAZDUSNI JASTUK 916N1 SL283/SG313	81.43601.0126 (MAN)	kom	65
4	206055801	MEH, VAZDUSNI JASTUK 320-200 N-48 BKM 32100S	320-200 N-48 BKM	kom	48

13 5, 18 1, 6 7 1, 1-3 5, 2, 3, 4 5 1, 4- 12 30

137 (1)



- (
-)
- (,)
- ,
-



-
-
-
- 10
- _____ ()
- a, a a
- :
-
-
-
-
-
-
- () , ... () .
-
-
- () ,

V

: _____

: _____

: _____

(_____), _____ (_____) _____
: _____ - _____ -343/16 : _____

					/
					(_____)
1					
2					
3					
...					

_____ (_____) _____)

-343/16

(31.01.2017.)

3

VI

75. 76.

. 77.

75.)

(.
. 77. ,

1. je / /

2. / / / /

3. / /

()

- 2. 3. 2 ()
30.11.2016.



1. / /

e,

e,

2. / /

- 1. 2. 2 ()
30.11.2016.



76.)

1. :

)

- (

),

(

-

_____ () :

(2013., 2014. 2015.).

2.

1-98, 100-136, 138

), (()
/
/

3.

1-98, 100-136, 138

3.1.

5

a/ (,)
; a/)

: / a/ 3
(31.01.2017.)
()

3.2.

(OE Numbers/Cross references).
/

3.3. /
SRPS ISO/TS 16949 SRPS ISO 9001 ISO/TS 16949
ISO 9001)
ISO/TS 16949 ISO 9001 SRPS ISO/TS 16949 SRPS ISO 9001 ()
(3.1, 3.2 3.3),



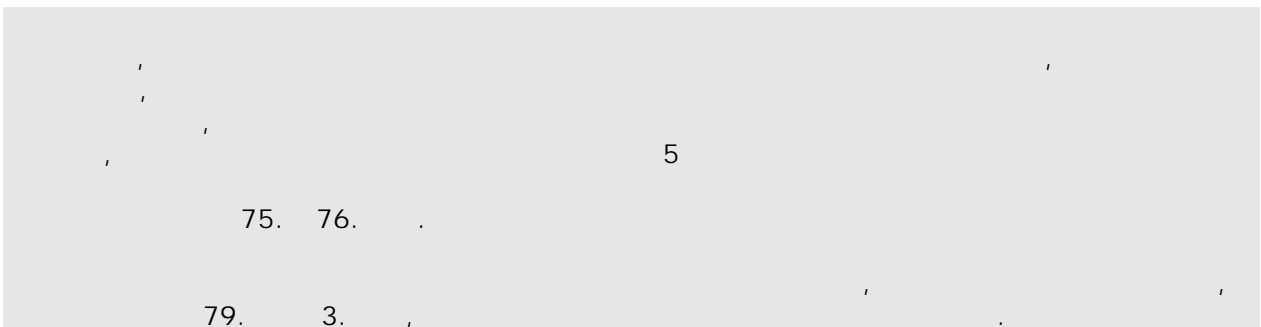
):

VI.

78. 5.

75. 1. 1, 2 4 77. 1. 1, 2 4

), (. 77



5

75. 76.

79. 3.

(6) - ()
5%)
3

3
()
:

-
-
-
18.2.

6
5%)
30
:

-
-
-
18.2.

VII

1.

1.1.

(. 75. 76.),

77.

1.2.

. 77.

1.3.

. 75. 76.

1.4.

. 79. . 3.

1.5.

78.

5.

75.

1.

1., 2.

4.

1.6.

1.7.

1.8.

. 77.

1.9.

1.

50%,

1.10.

1.11.

75.

(

1., 2. 4.).

1.12.

77.

1.

(

1., 2.

1.13.

4.)

5.

75.

10 %

1.

5.

1.14.

1.15.

1.16.

(1)
 77. 75. 1. 1., 2. 4. 76. 75. 1. 5.

1.17.

1)

2)

1.18.

1.19.

1.20.

1.21.

2.
2.1.

2.2.

2.3. 63. 2.

4087 « 5 () 29, 11000 +381 11 366
 nabavke@gsp.co.rs -343/16», e-mail

() 3

2.4.

2.5.

2.6.

3.
3.1.

3.2. (

)

3.3. ()

3.4.

4.

4.1.

4.2.

4.3.

4.4.

4.5.

(. 4.4),

87.

5.

4.6.

-343/16".

-343/16".

4.7.

).

(

5.

5.1.

5.2.

5

6.

6.1.

(

).

7.

7.1.

7.2.

7.3.

8.

8.1.

. 93.

1.

()

8.2.

8.3.

8.4.

8.5.

9.

9.1.

92.

1.

9.2.

9.3.

9.2

92.

3.

5

9.4.

10.

10.1.

(

2

(

).

I.

2

),

(

II.

(

)

III.

(

).

11.

11.1.

(1)

(2)

(3)

(4)

(5)

11.2.

11.3.

(6)

(7)

)

(8)

(9)

(10)

11.4.

11.5.

11.6.

12.

12.1.

12.2.

15.

14.

14.1.

5 %

. 86.

4.

14.2.

14.3.

14.4.

(. . . 33/2013).

15.

15.1.

75. 76.

15.2.

()

15.3.

15.4.

15.5.

15.6.

15.7.

15.8.

15.9.

15.10.

16.

16.1.

16.2.

()

16.3.

(), a

(5 7

).

16.4.

17.
17.1.
17.2.

17.3.

17.4.

17.5.

18.
18.1.

18.2.

18.3.

-
-
-
-
-

. 36. 1. . 3)
. 39. 6.

18.4.

2.

112.

18.5.

18.2.,

18.6.

. 18.2.,

19.

19.1.
19.2.

19.3.

19.4.

5%

3

- (- /)
(

).

19.5.

19.6.

20.

20.1.

21.

21.1.

82.

1)

. 23. 25.

2)

3)

4)

21.2.

1.

1)

2)

3)

4)

5)

6)

7)

21.3.

(

21.2.

2. 1)

)

22.

22.1.

(,) ,

29, 11000

+381 11 366-

4087.

23.

23.1.

5%

5.000.000,00

10.000.000,00

23.2.

K
MAN,
23.3.

ZF

:

IK, FAP, MERCEDES
-343/16

23.4.

24.
24.1.

x

24.2.

24.3.

10%

5

()

a

30

10%

a

()

),

(

10 %

7

24.4.

5%

5

()

a

30

5%

a

()

5 %

7

VIII

O

1-8

1)

/ /

- 1

- 1.

1

(

). 1

(),

(¹ 1 -

),

, () 1

1)

2)

2)

- 2

(

) -

(

)

(

..)

)

-a.

)

45

45

45

)

30

)

(

)

40

()

)

1, 6 7
18

1,

1-3

5,

4-13

5,

2, 3, 4 5
12

1,

3)

-

3

(3)

12.

(86/15).

1)
2)

()

- ;

(, ,). (,)

(

3

).

115.

2.

(3,

).

-
-
-
-

:

1,

2,

3,

(

...).

4,

- () -

5,

- () -

6,

7,

- () -

8,

9,

3

3

3.

3

4)

-

4

4,

4

IX

1) DELOVI DIFERENCIJALA OSOVINE ZF AV-132/87

1	114715301	DIFERENCIJAL, OSOVINE ZF AV132/87	A.000.350.18.22 Mercedes Benz 81.35100.6643 MAN 4472.203.007 ZF	kom	6			
2	113894401	LIM, ZASTITNI PRIRUB.DIFERENC.O S.AV 132/87	A.000.353.08.91 Mercedes Benz 4460.311.206 ZF 0870-311-206 SOLARIS	kom	10			
3	114758701	NAVRTKA, DIFERENCIJALA OS.ZF AV-132/87	0737.300.025 ZF A.000.990.33.60 Mercedes Benz 81.90620.0113 MAN 0737.300.072 ZF 81.90620.0118 MAN	kom	10			
4	115927501	PRIRUBNICA, DIFERENCIJALA OSOVINE AV 132/87	4460.305.682 ZF	kom	2			
5	114788901	PRSTEN, GUMENI 277X2.5 KUCISTA OS.AV- 132/87/AV13211/87	0634.303.152 ZF A.025.997.60.48 Mercedes Benz 06.56930.6412 MAN 0634.100.284 ZF	kom	30			
6	115909701	SET, Z=19/37 KONUS.TANJ.OS.AV 132/87 O345C E3	A.000.350.21.39 Mercedes Benz 4460.205.057 ZF 81.35199.6697 MAN 81.35199.6708 MAN	set	1			
7	114757901	SET, Z=21/38 KONUS.TANJ.OS.AV1 32/87/AV13211/87	4460.205.098 ZF A.000.350.28.39 Mercedes Benz 81.35199.6699 MAN 4460.205.137 ZF	set	2			
							1	

2) LEŽAJEVI OSOVINE ZF AV-132/87

1	113652601	LEZAJ, 32213 J2/Q KUCISTA DIF.LEVI AV 132/87	A.009.981.98.01 Mercedes Benz 0635.373.018 ZF 06.32499.0003 MAN 81.93420.0306 MAN	kom	8					
2	114716101	LEZAJ, DIFERENC.DESNI OSOVINE ZF AV 132/87	0750.117.210 ZF 81.93420.0309 MAN 0870-117-892 SOLARIS 0750.117.892 ZF	kom	8					
3	114766801	LEZAJ, KONUS.ZUPC.AV- 132/87 UNUTR.IK112/218N	0750.117.860 ZF A.010.981.68.01 Mercedes Benz 81.93420.0369 MAN 0870-117-860 SOLARIS	kom	7					
4	114767601	LEZAJ, KONUSNOG ZUPC.DIFERENC.AV- 132/87 SPOLJ	0750.117.875 ZF 81.93420.0380 MAN 0870-117-875 SOLARIS	kom	8					
5	117531901	LEZAJ, KUCISTA DIFERENC.LEVI OS.ZF AV132II/87	0750.117.891 ZF	kom	4					
6	113571601	LEZAJ, NP 550563/NP546683 KONUS.ZUPC.AV132/ 87 O345CE3	A.010.981.37.01 Mercedes Benz 0735.371.894 ZF SET1253 TIMKEN	kom	3					
7	114565701	LEZAJ, OSOVINICE MEDJUZUPCANIKA OS.AV 132/87	0750.117.785 ZF A.002.980.66.02 Mercedes Benz 81.93420.6093 MAN	kom	60					
8	114566501	LEZAJ, POGONSKOG VRATILA OS.AV 132/87	0750.117.141 ZF A.010.981.02.01 Mercedes Benz 81.93420.0310 MAN 0870-117-141 SOLARIS	kom	28					
9	114633501	LEZAJ, ZUPCANIKA REDUKTORA OS.ZF AV 132/87	0750.115.555 ZF A.002.981.96.12 Mercedes Benz	kom	30					
10	114628901	LEZAJ, ZUPCANIKA REDUKTORA OSOVINE ZFAV132/87	0750.115.559 ZF A.003.981.07.12 Mercedes Benz 0707-000-090 SOLARIS	kom	16					
							2			

3) DELOVI GLAV INE OSOVINE ZF AV-132/87/90

1	117647101	LIM, NOSACA GLAVCINE OS.AV 132	4472.336.309 ZF 36.32120.0001 MAN	kom	2				
2	117651001	NOSAC, GLAVCINE TOCKA OSOVINE ZF AV 132	4472.336.330 ZF	kom	1				
3	114459601	LIM, SIGURN.GLAVCINE OS.AV 132/87	4474.335.144 ZF A.000.353.12.73 Mercedes Benz 0630.754.031 ZF	kom	40				
4	114352201	LEZAJ, 402731 GLAVCINE OS. ZF AV132/87	0735.371.966 ZF 36.93420.0009 MAN	kom	15				
5	117529701	PRSTEN, 190X3 GUMENI NOSAC.GLAV.ZF AV132II/87	0634.314.406 ZF	kom	5				
6	114578901	PRSTEN, GUMENI 192X3 NOSACA GLAVC.AV 132/87	0634.303.996 ZF A.024.997.63.48 Mercedes Benz	kom	20				
						3	-		

4) PORTAL OSOVINE ZF AV-132/87

1	114772201	KUCISTE, DESNI PORTAL BOCNOG REDUKT.AV-132/87	4472.335.780 ZF	kom	1				
2	114771401	KUCISTE, LEVI PORTAL BOCNOG REDUK.AV-132/87	4472.335.779 ZF	kom	3				
3	117578501	NOSAC, DESNOG PORTALA ZF AV132/87	4472.335.637 ZF	kom	1				
4	117577701	NOSAC, LEVOG PORTALA ZF AV132/87	4472.335.636 ZF	kom	1				
						4	-		

5) DELOVI REDUKTORA OSOVINE ZF AV-132/87

1	114636001	MEDJUZUPCANIK, Z61 REDUKTORA OS.ZF AV 132/87	4472.335.325 ZF A.000.353.09.15 Mercedes Benz 81.37303.0017 MAN	kom	20				
2	114630001	ZUPCANIK, Z-21 ULAZNI REDUK.OS.ZF AV132/87	4472.335.647 ZF A.000.353.08.10 Mercedes Benz	kom	15				
3	114639401	ZUPCANIK, Z-67 POG.REDUKTORA OS.ZF AV 132/87	4472.335.433 ZF A.000.353.11.15 Mercedes Benz 81.37305.0040 MAN 0870-335-433 SOLARIS	kom	20				
4	114626201	PODLOSKA, ELASTICNA REDUKTORA OS.ZF AV 132/87	0750.106.080 ZF A.001.993.23.26 Mercedes Benz 81.97651.0162 MAN	kom	20				
5	114635101	PODLOSKA, ELASTICNA ZUPC.REDUK.OS.ZF AV132/87	0750.106.083 ZF A.001.993.27.26 Mercedes Benz 06.46019.0033 MAN	kom	20				
6	114627001	PODLOSKA, REDUKTORA OSOVINE ZF AV 132/87	0750.101.175 ZF A.000.353.15.48 Mercedes Benz 0707-000-088 SOLARIS	kom	30				
7	114629701	PODLOSKA, ZUPCANIKA REDUKTORA OS.ZF AV 132/87	0750.101.174 ZF A.001.353.29.77 Mercedes Benz	kom	15				
8	114632701	PODLOSKA, ZUPCANIKA REDUKTORA OS.ZF AV 132/87	4472.335.681 ZF A.002.353.44.77 Mercedes Benz 81.90714.0503 MAN 0870-335-681 SOLARIS	kom	15				
9	114634301	PODLOSKA, ZUPCANIKA REDUKTORA OS.ZF AV 132/87	0750.101.164 ZF A.002.353.53.77 Mercedes Benz 81.90714.0504 MAN 0820-340-004 SOLARIS	kom	15				
10	114641601	POLUVRATILO, ZUPC.DESNOG REDUKT.OS.ZF AV 132/87	4472.335.667 ZF A.000.357.19.01 Mercedes Benz 4472.336.427 ZF	kom	10				

							2 5/26
--	--	--	--	--	--	--	-----------

11	114642401	POLUVRATILO, ZUPC.LEVOG REDUKT.OS.ZF AV132/87	4472.335.665 ZF A.000.357.18.01 Mercedes Benz 4472.336.425 ZF 0000-058-049 SOLARIS	kom	10			
12	114631901	PRSTEN, OSIGUR. 42X2 ZUPC.REDUK.OS.ZFA V132/87	0630.532.159 ZF A.000.994.00.09 Mercedes Benz	kom	6			
13	114638601	PRSTEN, ZAPT.64X3 MEDJUZUPC.REDUK. OS.AV132/87	0634.313.574 ZF A.025.997.58.48 Mercedes Benz 0870-313-574 SOLARIS	kom	80			
							5	

6) ZAVRTNJEVI OSOVINE ZF AV-132/87

1	114717001	ZAVRTANJ, DIFERENC.OSOVINE ZF AV132/87	0750.108.012 ZF A.006.990.43.04 Mercedes Benz 81.90490.0679 MAN 0870-108-012 SOLARIS	kom	210			
2	113892801	ZAVRTANJ, M12X1.25X50 PRIR.DIF.AV132/87 O345C	A.010.990.96.01 Mercedes Benz 0636.020.398 ZF	kom	30			
3	114789701	ZAVRTANJ, M14X1.5X140-10.9 TOREX AV-132/87	0501.321.377 ZF 81.90490.0824 MAN 0000-050-665 SOLARIS 0750.108.083 ZF	kom	100			
4	114579701	ZAVRTANJ, M14X1.5X45-10.9 TOREX OS.AV 132/87	0501.321.372 ZF 81.90490.0822 MAN 0750.108.080 ZF	kom	80			
5	114580001	ZAVRTANJ, M14X1.5X85-10.9 TOREX OS.AV 132/87	0501.321.375 ZF 0750.108.081 ZF	kom	120			
6	114355701	ZAVRTANJ, M16X1.5X80 DISKA OSOV.ZF AV132/87	0636.020.153 ZF 0707-000-038 SOLARIS	kom	50			
7	116101601	ZAVRTANJ, M20X1.5X55 OS.ZF AV132/87	0636.021.257 ZF A.012.990.73.01 Mercedes Benz 0707-000-046 SOLARIS	kom	40			
							6	

							2 6/26
--	--	--	--	--	--	--	-----------

7	114348401	GLAVCINA, POG.OSOVINE ZF AV132/87 IK112N/218N	4472.335.745 ZF 81.35701.0176 MAN	kom	16				
8	114093001	POLUTKA, LEZAJA STABILIZ.GOR.POG.O S.IK112/218	8.218.35.30.013 Ikarbus	kom	4				
9	114351401	SEMERING, 132X160X10 SPOLJ.GLAVC.OS.AV1 32/87	0734.319.643 ZF	kom	16				
10	114353001	SEMERING, 132X172X12 BF1 BRUSS 76880-00 UNUTR	0734.319.644 ZF	kom	15				
11	114356501	ZAVRTANJ, M18X1.5X50 POLUVRATILA OS.AV132/87	0636.021.250 ZF 0707-000-044 ZF	kom	40				
12	114637801	OSOVINICA, LEZAJA MEDJUJ.REDUK.OS.Z F AV132/87	4472.335.822 ZF A.000.991.28.01 Mercedes 85.35107.0001 MAN 0720-385-075 ZF	kom	4				
13	114640801	PRSTEN, IMPULSNI Z-100 REDUKT.OS.ZF AV 132/87	4472.335.292 ZF A.013.542.15.17 Mercedes 81.35613.0045 MAN	kom	4				
14	117528901	KUCISTE, LEVI PORTAL BOC.REDUKT.OS.AV1 32II/87	4472.336.347 ZF	kom	2				
15	117779601	KUCISTE, DESNI PORTAL BOCNOG REDUKTORA OSOVINE AV132II87	4472.336.348 ZF	kom	1				
16	117648001	NOSAC, AMORT./JASTUKA DESNI OS.AV 132II/87	4472.336.272 ZF	kom	1				
17	117649801	NOSAC, AMORT./JASTUKA LEVI OS.AV132II/87	4472.336.273 ZF	kom	1				
18	112838801	SEMERING, 90x125x12/19 PRIR.DIF.OS.AV 132/87	0734.319.589 ZF A.023.997.27.47 Mercedes 81.96503.0326 MAN	kom	20				

19) PODLOŠKE ZA PODEŠAVANJE OSOVINE ZF AV-132/87

1	115463001	PODLOSKA, KONUSNOG.ZUPC. A=0,96 AV-132	A.000.353.30.77 Mercedes Benz 0730.110.457 ZF	kom	1				
2	115465601	PODLOSKA, KONUSNOG.ZUPC. A=1,02 AV-132	A.000.353.32.77 Mercedes Benz 0730.110.459 ZF 0870-110-459 SOLARIS	kom	1				
3	115466401	PODLOSKA, KONUSNOG.ZUPC. A=1,05 AV-132	A.000.353.33.77 Mercedes Benz 0730.110.460 ZF	kom	1				
4	115467201	PODLOSKA, KONUSNOG.ZUPC. A=1,08 AV-132	A.000.353.34.77 Mercedes Benz 0730.110.461 ZF	kom	1				
5	115468001	PODLOSKA, KONUSNOG.ZUPC. A=1,11 AV-132	A.000.353.35.77 Mercedes Benz 0730.110.462 ZF 0870-110-462 SOLARIS	kom	1				
6	115470201	PODLOSKA, KONUSNOG.ZUPC. A=1,17 AV-132	A.000.353.37.77 Mercedes Benz 0730.110.464 ZF 81.90714.0212 MAN 0870-110-464 SOLARIS	kom	1				
7	115472901	PODLOSKA, KONUSNOG.ZUPC. A=1,23 AV-132	A.000.353.39.77 Mercedes Benz 0730.110.466 ZF	kom	1				
8	115473701	PODLOSKA, KONUSNOG.ZUPC. A=1,26 AV-132	A.000.353.40.77 Mercedes Benz 0730.110.467 ZF	kom	1				
9	115474501	PODLOSKA, KONUSNOG.ZUPC. A=1,29 AV-132	A.000.353.41.77 Mercedes Benz 0730.110.468 ZF	kom	1				
10	115540701	PODLOSKA, LEZAJA BOCNOG ZUPC.S=1,19 AV-132	0730.007.916 ZF A.001.353.93.77 Mercedes Benz	kom	2				
11	115541501	PODLOSKA, LEZAJA BOCNOG ZUPC.S=1,22 AV-132	0730.007.917 ZF A.001.353.94.77 Mercedes Benz	kom	2				
12	115542301	PODLOSKA, LEZAJA BOCNOG ZUPC.S=1,25 AV-132	0730.007.918 ZF A.001.353.95.77 Mercedes Benz	kom	2				

13	115543101	PODLOSKA, LEZAJA BOCNOG ZUPC.S=1,28 AV-132	0730.007.919 ZF A.001.353.96.77 Mercedes Benz	kom	2				
14	115544001	PODLOSKA, LEZAJA BOCNOG ZUPC.S=1,31 AV-132	0730.007.920 ZF A.001.353.97.77 Mercedes Benz 0870-007-920 SOLARIS	kom	4				
15	115546601	PODLOSKA, LEZAJA BOCNOG ZUPC.S=1,37 AV-132	0730.007.922 ZF A.001.353.99.77 Mercedes Benz	kom	4				
16	115547401	PODLOSKA, LEZAJA BOCNOG ZUPC.S=1,40 AV-132	0730.007.923 ZF A.002.353.00.77 Mercedes Benz 0820-340-012 SOLARIS	kom	2				
17	115548201	PODLOSKA, LEZAJA BOCNOG ZUPC.S=1,43 AV-132	0730.007.924 ZF A.002.353.01.77 Mercedes Benz 81.90714.0038 MAN	kom	4				
18	115550401	PODLOSKA, LEZAJA BOCNOG ZUPC.S=1,49 AV-132	0730.007.926 ZF A.002.353.03.77 Mercedes Benz	kom	2				
19	115552001	PODLOSKA, LEZAJA BOCNOG ZUPC.S=1,55 AV-132	0730.007.928 ZF A.002.353.05.77 Mercedes Benz	kom	4				
20	115554701	PODLOSKA, LEZAJA BOCNOG ZUPC.S=1,61 AV-132	0730.007.930 ZF A.002.353.07.77 Mercedes Benz	kom	2				
21	115555501	PODLOSKA, LEZAJA BOCNOG ZUPC.S=1,64 AV-132	0730.007.931 ZF A.002.353.08.77 Mercedes Benz 81.90714.0045 MAN 0870-007-931 SOLARIS	kom	1				
22	115521001	PODLOSKA, LEZAJA MEDJUZUPCANIKA S=2,80 AV-132	0730.007.970 ZF A.001.353.74.77 Mercedes Benz 81.90714.0083 MAN	kom	12				
23	115522901	PODLOSKA, LEZAJA MEDJUZUPCANIKA S=2,85 AV-132	0730.007.971 ZF A.001.353.75.77 Mercedes Benz 0870-007-971 SOLARIS	kom	16				

24	115523701	PODLOSKA, LEZAJA MEDJUZUPCANIKA S=2,90 AV-132	0730.007.972 ZF A.001.353.76.77 Mercedes Benz 0870-007-972 SOLARIS	kom	16				
25	115524501	PODLOSKA, LEZAJA MEDJUZUPCANIKA S=2,95 AV-132	0730.007.973 ZF A.001.353.77.77 Mercedes Benz 0870-007-973 SOLARIS	kom	12				
26	115525301	PODLOSKA, LEZAJA MEDJUZUPCANIKA S=3,00 AV-132	0730.007.974 ZF A.001.353.78.77 Mercedes Benz	kom	8				
27	115426501	PODLOSKA, TANJIR.ZUPC. A=0,90 DESNA AV- 132	0730.110.485 ZF A.000.353.65.77 Mercedes Benz 81.90702.0062 MAN	kom	4				
28	115427301	PODLOSKA, TANJIR.ZUPC. A=0,93 DESNA AV- 132	0730.113.189 ZF	kom	4				
29	115428101	PODLOSKA, TANJIR.ZUPC. A=0,96 DESNA AV- 132	0730.113.190 ZF	kom	2				
30	115430301	PODLOSKA, TANJIR.ZUPC. A=1,02 DESNA AV- 132	0730.113.192 ZF 81.90714.0773 MAN	kom	2				
31	115431101	PODLOSKA, TANJIR.ZUPC. A=1,05 DESNA AV- 132	0730.110.488 ZF A.000.353.71.77 Mercedes Benz	kom	2				
32	115433801	PODLOSKA, TANJIR.ZUPC. A=1,11 DESNA AV- 132	0730.113.194 ZF	kom	4				
33	115434601	PODLOSKA, TANJIR.ZUPC. A=1,14 DESNA AV- 132	0730.113.195 ZF 81.90714.0776 MAN	kom	2				
34	115435401	PODLOSKA, TANJIR.ZUPC. A=1,17 DESNA AV- 132	0730.113.196 ZF	kom	2				
35	115436201	PODLOSKA, TANJIR.ZUPC. A=1,20 DESNA AV- 132	A.000.353.77.77 Mercedes Benz 0730.110.491 ZF	kom	2				
36	115437001	PODLOSKA, TANJIR.ZUPC. A=1,23 DESNA AV- 132	0730.113.197 ZF 81.90714.0778 MAN	kom	1				

37	115389701	PODLOSKA, TANJIR.ZUPC. S=0,30 LEVA AV-132	0730.107.934 ZF A.000.353.91.77 Mercedes Benz 81.90702.0008 MAN 0870-107-934 SOLARIS	kom	6				
38	115390001	PODLOSKA, TANJIR.ZUPC. S=0,35 LEVA AV-132	0730.107.935 ZF A.000.353.92.77 Mercedes Benz 81.90702.0009 MAN	kom	6				
39	115391901	PODLOSKA, TANJIR.ZUPC. S=0,40 LEVA AV-132	0730.107.936 ZF A.000.353.93.77 Mercedes Benz 81.90702.0010 MAN 0870-107-936 SOLARIS	kom	6				
40	115392701	PODLOSKA, TANJIR.ZUPC. S=0,45 LEVA AV-132	0730.107.937 ZF A.000.353.94.77 Mercedes Benz 81.90702.0011 MAN	kom	3				
41	115395101	PODLOSKA, TANJIR.ZUPC. S=0,60 LEVA AV-132	0730.107.940 ZF A.000.353.97.77 Mercedes Benz	kom	6				
42	115397801	PODLOSKA, TANJIR.ZUPC. S=0,70 LEVA AV-132	0730.107.942 ZF A.000.353.99.77 Mercedes Benz	kom	6				
43	115403601	PODLOSKA, TANJIR.ZUPC. S=1,00 LEVA AV-132	0730.107.948 ZF A.000.353.05.77 Mercedes Benz 81.90702.0022 MAN 0870-107-948 SOLARIS	kom	6				
44	115405201	PODLOSKA, TANJIR.ZUPC. S=1,10 LEVA AV-132	0730.107.950 ZF A.000.353.07.77 Mercedes Benz 0870-107-950 SOLARIS	kom	4				
45	115406001	PODLOSKA, TANJIR.ZUPC. S=1,15 LEVA AV-132	0730.107.951 ZF A.000.353.08.77 Mercedes Benz 0870-107-951 SOLARIS	kom	3				
46	115410901	PODLOSKA, TANJIR.ZUPC. S=1,35 LEVA AV-132	0730.107.955 ZF	kom	4				

47	115411701	PODLOSKA, TANJIR.ZUPC. S=1,40 LEVA AV-132	0730.107.956 ZF A.000.353.13.77 Mercedes Benz	kom	4				
48	115412501	PODLOSKA, TANJIR.ZUPC. S=1,45 LEVA AV-132	0730.107.957 ZF	kom	6				
49	115502401	PRSTEN, ODSTOJNI A=10,20 LEZ.KONUS.ZUP.AV- 132	A.001.353.45.51 Mercedes Benz 0730.161.112 ZF 0870-161-112 Solaris	kom	1				
50	115501601	PRSTEN, ODSTOJNI A=10,25 LEZ.KONUS.ZUP.AV- 132	A.001.353.44.51 Mercedes Benz 0730.161.113 ZF 0870-161-113 SOLARIS	kom	2				
51	115500801	PRSTEN, ODSTOJNI A=10,30 LEZ.KONUS.ZUP.AV- 132	A.001.353.43.51 Mercedes Benz 0730.161.114 ZF 0870-161-114 SOLARIS	kom	1				
52	115499001	PRSTEN, ODSTOJNI A=10,35 LEZ.KONUS.ZUP.AV- 132	0730.161.115 ZF 81.93030.0184 MAN	kom	2				
53	115498201	PRSTEN, ODSTOJNI A=10,40 LEZ.KONUS.ZUP.AV- 132	A.001.353.41.51 Mercedes Benz 0730.161.116 ZF 0870-161-116 SOLARIS	kom	2				
54	115497401	PRSTEN, ODSTOJNI A=10,45 LEZ.KONUS.ZUP.AV- 132	0730.161.117 ZF 0870-161-117 SOLARIS	kom	2				
55	115496601	PRSTEN, ODSTOJNI A=10,50 LEZ.KONUS.ZUP.AV- 132	A.001.353.39.51 Mercedes Benz 0730.161.118 ZF 81.93030.0187 MAN	kom	2				
19								-	

20) DELOVI OSOVINE VOK 07-B17, IK112/218M

1	117268901	CAURA, GUMENA MANJA STABILIZ.OS.VOK 07- B17	81.43722.0059 MAN	kom	10			
2	117269701	CAURA, GUMENA DVOD.STABILIZ. OS.VOK 07-B17	81.43704.0077 MAN	kom	4			
20								

21	115190801	VALJCIC, KOCNE PAPUCE OS.BDI28MD	860.00.3341.050 RABA 300153 RABA	kom	20			
22	115234301	ODBOJNIK, GUMENI POG.OSOVINE RABA IK	8.017.35.103 Ikarbus	kom	20			
23	108360001	OPRUGA, KOC.PAPUCA DUZA POG.OSOV.BDI23 IK202	359161 RABA	kom	80			
24	108689801	SEMERING, 85X132X13 SA NOSACEM DIFER.IK103/	551 989 98 RABA	kom	40			
25	108358901	PAPUCA, KOCNA POGONSKE OSOVINE BDI23 IK202	865.12.3341.010 RABA 573480 RABA	kom	24			
26	114488001	KLIP, NOSAC DONJI VAZD.JAST.PRED.OS OV. ZF RL	0501.323.864 ZF	kom	6			
27	114487101	KLIP, NOSAC VAZD.JAST.POG. I NEUTR.OS. ZF RL	0501.323.799 ZF	kom	6			
28	114118001	LEZAJ, IGLICASTI F- 91943INA RUKAV.OS.ZF RL-85	0735.298.256 ZF 0735.300.973 ZF	kom	100			
29	113283001	LEZAJ, 32309 GLAVC.TOCKA SPOLJ.OS. ZF RL-85A IK112/218N	0750.117.524 ZF	kom	40			
30	114006001	LEZAJ, AKSIJALNI OSOVINICE RUKAVCA OS. ZF RL-85A IK- 112/218	0750.115.411 ZF 0735.301.286 ZF 36.44210.0000 MAN	kom	60			
31	114011601	LEZAJ, 534565 GLAVC.TOCKA UNUTR. OS. ZF RL- 85A IK112/218N	0750.117.516 ZF	kom	28			

32	114022101	POKLOPAC, RUKAVCA IK 112N/218N	4474.385.002 ZF	kom	6				
33	114116301	OSOVINICA, RUKAVCA OSOVINE ZF RL-85A	4474.385.019 ZF	kom	20				
34	114120101	ZAVRTANJ, M16X1.5X50-10.9 DISKA OS.ZF RL-85A	0636.101.741 ZF	kom	40				
35	114310701	SEMERING, 100X140X15 OS.ZF RL-85A IK112N/218N	0750.111.402 ZF	kom	20				
36	114492801	ZAVRTANJ, M18X1.5X60 10.9 PRED.OS.ZF RL-85A	0636.020.253 ZF 0870-020-253 Solaris	kom	40				
37	115037501	RUKAVAC, PREDNJE OSOVINE ZF-RL85A IK112/218N	4474.385.134 ZF 36.44201.6000 MAN	kom	1				

38) PREVRTA , KO NIH PAPU A POG.OSOVINE HO9 SG/SL

1	106099601	PREVRTAC, KOC.PAPUCA POGON.OS.HO9 DESNi SG/SL	81.50301.0112 MAN	kom	14				
2	106100301	PREVRTAC, KOC.PAPUCA POGON.OS.HO9 LEVI SG/SL	81.50301.0113 MAN	kom	14				
							38	-	

39) LIM ZAŠTITNI OSOVINE HOM9 SG313/SL283

1	113783201	LIM, ZASTITNI OSOVINE HOM9 DESNi SG313/SL283	81.50101.0222 MAN	kom	40				
2	113784001	LIM, ZASTITNI OSOVINE HOM9 LEVI SG313/SL283	81.50101.0221 MAN	kom	40				
							39	-	

40	108946301	LEZAJ, PR.OS.SA INTEG.KUCIS. H0V9 SG313/SL283	81.93420.0349 MAN	kom	10				
41	112690301	PRSTEN, GUMENI KOCNOG VALJKA MAN SG313	06.56936.1051 MAN	kom	60				
42	113748401	KUCISTE, PLANET.ZUPC.POG.O S. H09-1300 SG 313	81.35114.6113 MAN	kom	14				
43	115285801	LEZAJ, 33022 UNUT.110x170x47 POG.TOCKA OS.H09	06.32499.0155 MAN	kom	6				
44	115349801	SEMERING, 85X145X12/25- FPM/NBR GL.PRENOSN.SG	06.56289.0319 MAN	kom	6				
45	116267501	SEMERING, 145X175X15.5WD- NBR-Z=100 OS.H09 SG	06.56289.0371 MAN	kom	20				
46	116432501	GLAVCINA, TOCKA POGONSKE OSOVINE H09-13120	81.35701.0141 MAN	kom	8				
47	116716201	OPRUGA, KOCNE PAPUCE SG 313	81.97610.0317 MAN	kom	80				
48	111089601	KLIP, NOSAC DONJI VAZ.JASTUKA PRED.OS.SG313	81.43603.0060 MAN	kom	20				
49	111090001	KLIP, NOSAC DONJI VAZ.JASTUKA POG.OS.SG313	81.43603.0055 MAN	kom	18				
50	109822501	OSIGURAC, TRAPEZNI KOC.PAPUCA SL/SG, A537	81.90801.0225 MAN 346.994.01.09 FAP	kom	200				
51	110853001	PAPUCA, KOCNA POGONSKE OSOVINE MAN SG313/283	81.50201.0138 MAN	kom	32				
52	105591701	PRSTEN, GUMENI 255X5 KUCISTA TRKACA SG/SL	06.56341.4254 MAN	kom	100				

53) RUKUNICA PREDNJE OSOVINE V9-82L-29 SL/SG

1	114727701	RUKUNICA, PREDNJE OSOV.V9-82L-29 SL/SG DESNA	81.46701.0330 MAN	kom	1					
2	114728501	RUKUNICA, PREDNJE OSOV.V9-82L-29 SL/SG LEVA	81.46701.0331 MAN	kom	1					
53										

54	110650301	SET, DELOVA RUKAVCA OSOVINE V9-82L SG313	81.44205.6023 MAN	set	40				
55	113677101	PRSTEN, GUMENI ?62X3 OSOVINICE RUKAVCA SG313	06.56939.0016 MAN	kom	25				

56) POLUVRATILO POGONSKE OSOVINE O345C

1	110029701	POLUVRATILO, POGONSKE OSOVINE O345C E2 LEVO	A.659.357.14.01 Mercedes Benz	kom	1				
2	110030001	POLUVRATILO, POGONSKE OSOVINE O345C E2 DESNO	A.659.357.15.01 Mercedes Benz	kom	1				
56							-		

57) PREVRTA I POGONSKE OSOVINE O345C

1	110089001	PREVRTAC, KOCNIH PAPUCA POG.OSOV.DESNI O345C	A.623.423.02.36 Mercedes Benz	kom	7				
2	110090401	PREVRTAC, KOCNIH PAPUCA POG.OSOV.LEVI O345C	A.623.423.01.36 Mercedes Benz	kom	5				
57							-		

58) PREVRTA I POGONSKE OSOVINE O345C/E3

1	112850701	PREVRTAC, KOCNIH PAPUCA POG.OS. LEVI O345C/E3	A.000.423.15.36 Mercedes Benz 0501.315.950 ZF	kom	3				
2	112851501	PREVRTAC, KOCNIH PAPUCA POG.OS.DESNI O345C/E3	A.000.423.16.36 Mercedes Benz 0501.315.951 ZF	kom	3				
58							-		

59) KU IŠTA, PORTALI BO NOG REDUKTORA O345C/E3

1	113964901	KUCISTE, LEVI PORTAL BOCNOG REDUKT.O345C E3	A.000.351.13.05 Mercedes Benz 4472.335.795 ZF	kom	2				
2	113965701	KUCISTE, DESNI PORTAL BOCNOG REDUKT.O345C E3	A.000.351.14.05 Mercedes Benz 4472.335.796 ZF	kom	1				
						59	-		

60) SETOVI RUKAVCA O345

1	109971001	SET, DELOVA RUKAVCA PREDNJE OSOVINE DES. O345	A.655.330.07.19 Mercedes Benz	set	10				
2	109970101	SET, DELOVA RUKAVCA PREDNJE OSOVINE LEVI O345	A.655.330.06.19 Mercedes Benz	set	10				
						60	-		

61	109977901	GLAVCINA, TOCKA PREDNJE OSOVINE O345C	A.623.334.01.01 Mercedes Benz	kom	2				
62	109996501	OPRUGA, KOCNIH PAPUCA 234mm POVRATNA O345C	A.945.993.00.10 Mercedes Benz	kom	80				
63	112581801	SEMERING, 130X170X18/20 POG.GLAVCINE O345C/E3	A.013.997.59.46 Mercedes Benz 0734.319.610 ZF	kom	26				
64	109374601	SET, DELOVA VALJICA KOCNE PAPUCE O345,FAP,MB	A.307.420.03.39 Mercedes Benz	set	60				
65	109460201	SET, DELOVA PREVRTACA KOCNIH PAPUCA O345C	A.360.420.00.43 Mercedes Benz	set	25				
66	109935301	DRZAC, OSOLONCA VAZDUSNOG JAST.DONJI O345C	A.357.327.17.40 Mercedes Benz	kom	10				

67	117036801	KUCISTE, SFERNOG LEZAJA PREVRTACA POGONSKE OSOVINE O345C E2	A.357.423.16.33 Mercedes Benz	kom	4				
68	110931601	PAPUCA, KOCNA POGONSKE OSOVINE CONECTO	A.003.420.67.20 Mercedes Benz 0501.212.658 ZF	kom	2				
69	110940501	LEZAJ, 32021 KBS GLAVCINE POG.OS.SPOLJNI CONE	A.009.981.94.01 Mercedes Benz	kom	5				
70	110989801	LEZAJ, JM822049/JM822010 UNUT.POG.TOCKA O345C	A.010.981.38.01 Mercedes Benz 0750.117.314N ZF	kom	6				
71	111522701	GLAVCINA, TOCKA POGONSKE OS.ZP82 O345/E3	A.000.356.04.01 Mercedes Benz 4472.335.160 ZF	kom	4				
72	115845701	NOSAC, PREVRTACA LEVI POG.OS.AV132/87 O345C	A.000.352.06.40 Mercedes Benz 4472.335.625 ZF	kom	2				
73	115871601	POKLOPAC, KOCNOG SISTEMA (ANKER PLATNA) O345C	A.000.423.10.20 Mercedes Benz	kom	8				
74	112852301	SET, DELOVA PREVRTACA KOCNIH PAPUCA O345C/E3	A.013.997.05.46 Mercedes Benz 0501.298.041 ZF	set	20				
75	112860401	SET, OPRUGA KOCNIH PAPUCA POG.OSOV. O345C/E3	A.007.993.56.01 Mercedes Benz 0501.298.042 ZF	set	12				
76	113224501	SEMERING, OBLOGE POGONSKE OSOVINE O345 C E3	A.024.997.55.47 Mercedes Benz 0734.300.185 ZF	kom	12				
77	113229601	OSIGURAC, NAVRTKE OBLOGE POGONSKE OS. O345 E3	A.000.353.06.73 Mercedes Benz	kom	3				
78	114010801	ZAVRTANJ, M20X1.5X65 10.9 KOC.CIL. O345C E3	0636.101.829 ZF A.013.990.19.01 Mercedes Benz 06.02099.0364 MAN	kom	40				
79	114041801	OSIGURAC, OSOVINICE KOCNE PAPUCE ZA O345C E3	A.000.421.14.73 Mercedes Benz 0501.303.432 ZF	kom	10				
80	114042601	OSOVINICA, KOCNE PAPUCE ZA O345C E3	A.000.421.26.74 Mercedes Benz 0501.314.719 ZF	kom	8				
81	114088401	SET, Z=17/29 KONUSNO- TANJIRASTI DIF.OS.H07/8	A.357.350.05.39 Mercedes Benz	set	10				

82) DELOVI STABILIZATORA IK218 2012

1	117053801	NOSAC, DESNI STABILIZ.NEUTR.OS.I K218 2012	8.218.50.30.024 IKARBUS	kom	4			
2	117052001	NOSAC, LEVI STABILIZ.NEUTRALN E OS.IK218 2012	8.218.50.30.016 IKARBUS	kom	4			
3	117090201	NOSAC, STABILIZ.POG.OS. IK218 2012	8.218.35.30.043 IKARBUS	kom	4			
4	117091001	NOSAC, STABILIZ.POG.OS. IK218 2012	8.218.35.30.031 IKARBUS	kom	4			
							82	-

83) PODMETAC, RUKAVCA OSOVINE 832

1	100231701	PODMETAC, RUKAVCA 0.12mm OSOVINE 832	375949 RABA 832.00.3102.026 RABA	kom	80			
2	100232501	PODMETAC, RUKAVCA 0.25mm OSOVINE 832	375950 RABA 832.00.3102.027 RABA	kom	80			
3	100239201	PODMETAC, RUKAVCA 0.4mm OSOVINE 832	375951 RABA 832.00.3102.028 RABA	kom	80			
4	100234101	PODMETAC, RUKAVCA 0.6mm OSOVINE 832	375952 RABA 832.00.3102.029 RABA	kom	100			
5	100235001	PODMETAC, RUKAVCA 0.8mm OSOVINE 832	832.00.3102.024 RABA 504082 RABA	kom	90			
6	100236801	PODMETAC, RUKAVCA 1.0mm OSOVINE 832	504083 RABA 832.00.3102.025 RABA	kom	80			
							83	-

84	108274401	KLIP, NOSAC DONJI VAZDUSNOG JASTUKA IK	8.164.35.051 IKARBUS	kom	40				
85	108273601	PLOCA, VAZDUSNOG JASTUKA GORNJA IK	174754 RABA	kom	100				
86	100335601	LEZAJ, 30206 PRAT.OS.831/ MEDJUPOL. GUR. SP.A537	108.120.601 N.000720.030206 Mercedes Benz	kom	50				
87	103789701	LEZAJ, 30205 MEDJUPOLU.GUR.SP ONA IK-166/A537	N.000720.030205 Mercedes Benz	kom	15				
88	105558501	LEZAJ, 32019 XA F22 SPOLJ.ZAD.TOCKA IK,FAP,MB	A.001.980.26.02 Mercedes Benz 06.32489.0012 MAN 06.32489.0114 MAN	kom	10				
89	100246501	LEZAJ, 32310 A SPOLJNI GLAVC.OS.832 FAP,MB	A.001.981.76.05 Mercedes Benz 06.32499.0016 MAN	kom	40				
90	105560701	LEZAJ, 33021 UNUT.POGONSKOG TOCKA IK102,FAP	A.000.980.97.02 Mercedes Benz 06.32499.0038 MAN 06.32499.0126 MAN 06.32499.0188 MAN	kom	6				
91	100227901	LEZAJ, 353263 EHA3 OSOVINICE RUKAVCA OSOV.832	396840 RABA	kom	380				
92	105570401	LEZAJ, 365433 PREVRTACA POG.OS.IK102,FAP,M B	06.36959.0014 MAN A.000.981.60.31 Mercedes Benz 06.36959.0035 MAN	kom	120				
93	100251101	LEZAJ, 528983/331933 GLAVC.UN.O.832,SG, FAP,MB	06.32499.0043 MAN A.005.981.30.05 Mercedes Benz	kom	30				
94	105563101	LEZAJ, AKSIJALNI RUKAVCA PR.OS.MAN,FAP,MB,Z IU	06.32579.0043 MAN A.001.981.78.18 Mercedes Benz	kom	30				
95	111694001	LEZAJ, VALJKASTI UNUTR.DIFERENCIJA LA OSOV.H07	A.003.981.89.05 Mercedes Benz HM 807048/10 TIMKEN	kom	24				

96	100134501	SEMERING, 42X55X9 PREVRTACA SPOLJ.IK,FAP,MB	A.014.997.21.47 Mercedes Benz	kom	200				
97	105588701	SEMERING, 42X58X7 PREVRTACA UNUTR.IK,FAP,MB	A.012.997.41.47 Mercedes Benz 06.56279.0311 MAN 06.56279.0310 MAN	kom	150				
98	100252001	SEMERING, 100X130X13 GLAVCINE OSOV.832,FAP,MB	A.009.997.67.47 Mercedes Benz DIN 3760	kom	30				
99	100483201	SEMERING, 140X170X15 GLAVC.POG.OS.118 IK,ZIU		kom	40				
100	100450601	LEZAJ, 32312 B KONUS.ZUPC.DIF.OS. 118 IK,ZIU	0.112965 RABA	kom	2				
101	100452201	SEMERING, 85X110X13 DIFERENC.OSOV.118 IK,ZIU	108.138.553 Ikarbus	kom	4				
102	100466201	PRSTEN, GUMENI 237X4 KUCISTA PLANETARA OS.118	581.00.3330.046 RABA	kom	10				
103	105934301	KLIZAC, SEMERINGA GLAVC.POG.OS. IK,FAP,O405	A.355.356.12.15 Mercedes Benz 81.35710.0045 MAN 81.35710.0093 MAN 81.35710.6015 MAN	kom	10				
104	111326701	LEZAJ, 33215 Q KONUSNOG ZUPCANIKA DIF. OS.118	33215Q	kom	2				
105	111327501	LEZAJ, 32314 A KONUSNOG ZUPC. DIFER. OS.118	32314A	kom	40				
106	111328301	LEZAJ, 32215 F KONUSNOG ZUPC. DIF. OS.118	32215F	kom	2				
107	111358501	PRENOSNIK, DIFERENCIJALNI OSOVINE H07- SKLOP	A.387.350.59.23 Mercedes Benz	set	15				
108	108837801	SEMERING, 145X175/205-9/14 SA NOSACEM O405N	015.997.49.47 Mercedes Benz	kom	50				
109	111368201	LEZAJ, 33113 GLAVNOG PRENOSNIKA MAN, MERC.	06.32499.0108 MAN	kom	48				
110	110024601	NAVRTKA, PRIRUBNICE DIFERENCIJALA MB,FAP	A.385.351.06.72 Mercedes Benz	kom	8				

111) NOSA KO NIH PAPU A POGONSKE OSOVINE MB,103F,FAP

1	107319201	NOSAC, KOCNIH PAPUCA POG.OS. MB,103F,FAP(A/K)	A.346.423.03.06 Mercedes Benz A.942.423.03.06 Mercedes Benz 250615 FAP	kom	12			
2	107320601	NOSAC, KOCNIH PAPUCA PRED.OS.MB,103F,FA P(A/K)	250618 FAP A.346.421.31.06 Mercedes Benz	kom	14			
111							-	

112) TANJIRI POLUGE STABILIZATORA A537,IK103F

1	107609401	TANJIRIC, POLUGE STABILIZ.GORNJI A537,IK103F	321.323.01.67 Mercedes Benz	kom	8			
2	107610801	TANJIRIC, POLUGE STABILIZ.DONJI A537, IK103F	321.323.02.67 Mercedes Benz	kom	16			
112							-	

113) NOSA KO NIH PAPU A POGONSKE OSOVINE MB,103F,FAP

1	109705901	PREVRTAC, KOC.PAPUCA PRED.OSOV.DESNI FAP,MB	A.305.421.19.36 Mercedes Benz	kom	12			
2	109706701	PREVRTAC, KOC.PAPUCA PRED.OSOV.LEVI FAP,MB	A.305.421.18.36 Mercedes Benz	kom	8			
3	109707501	PREVRTAC, KOC.PAPUCA POGON.OS.DESNI FAP,O405	A.307.423.09.36 Mercedes Benz	kom	12			
4	109708301	PREVRTAC, KOC.PAPUCA POGON.OSOV.LEVI FAP,O405	A.307.423.08.36 Mercedes Benz	kom	12			
113							-	

114) NOSA KO NIH PAPU A POGONSKE OSOVINE MB,103F,FAP

1	109814401	NOSAC, VAZDUSNIH JASTUKA POG.OS. A537 LEVI	273851 FAP	kom	1			
2	109815201	NOSAC, VAZDUSNIH JASTUKA POG.OS. A537 DESNI	273852 FAP	kom	1			
114								

115	106579301	SEMERING, 145X175X13 POG.TOC.UNUTR.IK,F AP	011.997.01.46 A.013.997.65.47 Mercedes Benz 06.56289.0333 MAN	kom	180			
116	107264101	OSOVINICA, UPORNE SPONE NA ZAD.NOS.JASUKA FAP	166066 FAP	kom	10			
117	107658201	NOSAC, SEMERINGA PREVRTACA POGON.OSOV. FAP	346.423.00.58 Mercedes Benz	kom	20			
118	108037701	DRZAC, OSOLONCA VAZD.JAST.DONJI FAP A537,0405	A.307.320.08.43 Mercedes Benz A.302.320.01.43 Mercedes Benz	kom	12			
119	109239101	PAPUCA, KOCNA PREDNJE OSOVINE MB,FAP	A.305.420.11.19 Mercedes Benz	kom	10			
120	109370301	PAPUCA, KOCNA POGONSKE OSOVINE MB,FAP	A.659.420.14.19 Mercedes Benz	kom	20			
121	109698201	SEMERING, 72X105X19 PRIRUB.DIFERE.MB,F AP	A.020.997.06.47 Mercedes Benz 06.56279.0362 MAN	kom	30			
122	109781401	UZENGIJA, POGON.MOSTA M24X2X180X400 FAP A537	233845 FAP	kom	4			
123	111357701	SET, Z=21/28 KONUSNO-TANJIRASTI A537.2	A.355.350.30.39 Mercedes Benz A.355.350.51.39 Mercedes Benz	set	2			
124	114227501	PRIRUBNICA, ?165 DIFERENCIJALA FAP A537.2/.3	305.353.14.45 Mercedes Benz	kom	2			

125	113308001	CAURA, ZA CENTRIRANJE ZADNJ.TOCKA DUZA FAP537	03.112.00.42.0 BPW	kom	800				
126	113666601	SET, ZAPTIVKI SA SEMERINZIMA POG.OS.IK,FAP	A.624.356.00.80 Mercedes Benz 08864 FEBI	set	350				
127	107728701	OPRUGA, KOCNIH PAPUCA 246mm POVRATNA FAP,O405	A.617.993.11.10 Mercedes Benz 617.993.06.10 FAP	kom	40				
128	107736801	OSIGURAC, TRAPEZNI KOCNIH PAPUCA FAP	A.381.994.00.09 Mercedes Benz	kom	30				
129	108276001	OSLONAC, VAZDUSNOG JASTUKA DONJI FAP,O405	A.357.320.01.34 Mercedes Benz A.357.320.15.34 Mercedes Benz 301.320.01.75 FAP	kom	15				
130	108033401	OSLONAC, VAZDUSNOG JASTUKA GORNJI MB,FAP A537	A.322.320.03.35 Mercedes Benz A.612.320.00.35 Mercedes Benz	kom	6				
131	107390701	SET, DELOVA RUKAVCA PREDNJE OSOVINE FAP, O405	06015 FEBI 391.330.00.19 FAP	set	30				

132) PODMETAC, RUKAVCA OSOVINE FAP, MB

1	107624801	PODMETAC, RUKAVCA 1.9mm PRED.OSOVINE FAP,MB	A.655.332.02.52 Mercedes Benz 389.332.02.52 FAP	kom	4					
2	107626401	PODMETAC, RUKAVCA 2.1mm PRED.OSOVINE FAP,MB	389.332.04.52 FAP A.655.332.04.52 Mercedes Benz	kom	6					
3	107629901	PODMETAC, RUKAVCA 2.3mm PRED.OSOVINE FAP,MB	A.655.332.06.52 Mercedes Benz 389.332.06.52 FAP	kom	6					
132										

133) DELOVI OSOVINE

1	116429501	SEMERING, POGONSKE GLAVCINE SPOLJNI IK218M	36.96503.0004 MAN 36.96503.0016 MAN	kom	4			
2	116427901	SEMERING, POGONSKE GLAVCINE UNUTRASNJI IK218M	36.96503.0003 MAN 36.96503.0017 MAN	kom	4			
133							-	

134) DELOVI OSOVINE OS.H07-10 DL11.5

1	114644001	NAVRTKA, BOCNA DIFERENC.LEVA OS.H07-10 DL11.5	A.371.353.00.25 MB	kom	7			
2	114645901	NAVRTKA, BOCNA DIFEREN.DESNA OS.H07-10 DL11.5	A.355.350.03.43 MB	kom	7			
134							-	

135) DELOVI OSOVINE HONP-13100-03, IK

1	117725701	SET, Z=18/35 I=1.944 KONUSNO- TANJIRASTI OS.HONP-13100-03	36.35101.6005 MAN	set	2			
2	117769901	KUCISTE, LEVI PORTAL BOC.REDUKTORA OSOVINE HONP- 13100-03	81.35421.0027 MAN 4472.336.445 ZF	kom	1			
3	117770201	KUCISTE, DESNI PORTAL BOC.REDUKTORA OSOVINE HONP- 13100-03	81.35421.0026 MAN 4472.336.446 ZF	kom	1			
135							-	

136) DELOVI POGONSKE OSOVINE RABA618 IK103/201 (06)

1	116827401	POKLOPAC, REDUKTORA POG.OS.618.08	118.34.3330.031 RABA	kom	1				
2	116831201	PRENOSNIK, PLANETARNI SKLOP OS.618.08	518.74.3340.004 RABA	kom	2				
136							-		

137) DELOVI OSOVNI NA TROLZA, BKM

			/						
1	212072001	ISPARIVAC, DIFERENCIJALA ZIU,TROLZA	AT-01-DS-09-011	kom	5				
2	212187501	ZUPCANIK, POGONSKI KONUSNI Z=14 DIFER.BKM333	APT28-96AS11083 084901 RABA	kom	5				
137							-		

138) VAZDUŠNI MEHOVI

1	100177901	MEH, VAZDUSNI JASTUK B159 260X370-2K IK	0501.323.798 (ZF) V 1E26A (VIBRACOUSTIC)	kom	160				
2	108039301	MEH, VAZDUSNI JASTUK S-132 FAP,MB,IK103F	A.000.327.01.01 (Mercedes Benz)	kom	90				
3	109136001	MEH, VAZDUSNI JASTUK 916N1 SL283/SG313	81.43601.0126 (MAN)	kom	65				
4	206055801	MEH, VAZDUSNI JASTUK 320-200 N-48 BKM 32100S	320-200 N-48 BKM	kom	48				
138							-		

	2 26/26
--	------------

:	_____
---	-------

(): _____	_____
------------	-------

(): _____	45
------------	----

(1, 1-3 1, 6 7 5): _____	_____
---------------------------	-------

(2, 3, 4 5 1, 4- 13 5): _____	_____
--------------------------------	-------

:	
---	--

2.

...

1.
2.
3.
4.
5.
6.
7.

	4
--	---

()::

		() ⁻	() ⁻
(-):			
(-):			

:

		() ⁻	() ⁻
(-):			
(-):			

: 88.

	5
--	---

B

82. 1. 2.

-	6
---	---

, 1, 2 6

:	
:	
:	
:	

- -

:" , 29 (:)

() 5% (:

IK, FAP, MERCEDES MAN, ZF
- , -343/16, 35. 1.

1. , .

5%

" , 29,

-
-
-
-

K
MAN,

ZF

:

IK, FAP, MERCEDES
-343/16

	7
--	---

-

-

(

:

).

4.

XIV-343/___ ___.2017. :

1) DELOVI DIFERENCIJALA OSOVINE ZF AV-132/87

1	114715301	DIFERENCIJAL, OSOVINE ZF AV132/87	A.000.350.18.22 Mercedes Benz 81.35100.6643 MAN 4472.203.007 ZF	kom	6			
2	113894401	LIM, ZASTITNI PRIRUB.DIFERENC.O S.AV 132/87	A.000.353.08.91 Mercedes Benz 4460.311.206 ZF 0870-311-206 SOLARIS	kom	10			
3	114758701	NAVRTKA, DIFERENCIJALA OS.ZF AV-132/87	0737.300.025 ZF A.000.990.33.60 Mercedes Benz 81.90620.0113 MAN 0737.300.072 ZF 81.90620.0118 MAN	kom	10			
4	115927501	PRIRUBNICA, DIFERENCIJALA OSOVINE AV 132/87	4460.305.682 ZF	kom	2			
5	114788901	PRSTEN, GUMENI 277X2.5 KUCISTA OS.AV- 132/87/AV132II/87	0634.303.152 ZF A.025.997.60.48 Mercedes Benz 06.56930.6412 MAN 0634.100.284 ZF	kom	30			
6	115909701	SET, Z=19/37 KONUS.TANJ.OS.AV 132/87 O345C E3	A.000.350.21.39 Mercedes Benz 4460.205.057 ZF 81.35199.6697 MAN 81.35199.6708 MAN	set	1			
7	114757901	SET, Z=21/38 KONUS.TANJ.OS.AV1 32/87/AV132II/87	4460.205.098 ZF A.000.350.28.39 Mercedes Benz 81.35199.6699 MAN 4460.205.137 ZF	set	2			
1								

2) LEŽAJEVI OSOVINE ZF AV-132/87

1	113652601	LEZAJ, 32213 J2/Q KUCISTA DIF.LEVI AV 132/87	A.009.981.98.01 Mercedes Benz 0635.373.018 ZF 06.32499.0003 MAN 81.93420.0306 MAN	kom	8			

2	114716101	LEZAJ, DIFERENC.DESNI OSOVINE ZF AV 132/87	0750.117.210 ZF 81.93420.0309 MAN 0870-117-892 SOLARIS 0750.117.892 ZF	kom	8				
3	114766801	LEZAJ, KONUS.ZUPC.AV- 132/87 UNUTR.IK112/218N	0750.117.860 ZF A.010.981.68.01 Mercedes Benz 81.93420.0369 MAN 0870-117-860 SOLARIS	kom	7				
4	114767601	LEZAJ, KONUSNOG ZUPC.DIFERENC.AV- 132/87 SPOLJ	0750.117.875 ZF 81.93420.0380 MAN 0870-117-875 SOLARIS	kom	8				
5	117531901	LEZAJ, KUCISTA DIFERENC.LEVI OS.ZF AV132II/87	0750.117.891 ZF	kom	4				
6	113571601	LEZAJ, NP 550563/NP546683 KONUS.ZUPC.AV132/ 87 O345CE3	A.010.981.37.01 Mercedes Benz 0735.371.894 ZF SET1253 TIMKEN	kom	3				
7	114565701	LEZAJ, OSOVINICE MEDJUZUPCANIKA OS.AV 132/87	0750.117.785 ZF A.002.980.66.02 Mercedes Benz 81.93420.6093 MAN	kom	60				
8	114566501	LEZAJ, POGONSKOG VRATILA OS.AV 132/87	0750.117.141 ZF A.010.981.02.01 Mercedes Benz 81.93420.0310 MAN 0870-117-141 SOLARIS	kom	28				
9	114633501	LEZAJ, ZUPCANIKA REDUKTORA OS.ZF AV 132/87	0750.115.555 ZF A.002.981.96.12 Mercedes Benz	kom	30				
10	114628901	LEZAJ, ZUPCANIKA REDUKTORA OSOVINE ZFAV132/87	0750.115.559 ZF A.003.981.07.12 Mercedes Benz 0707-000-090 SOLARIS	kom	16				
2									

3) DELOVI GLAV INE OSOVINE ZF AV-132/87/90

1	117647101	LIM, NOSACA GLAVCINE OS.AV 132	4472.336.309 ZF 36.32120.0001 MAN	kom	2				
2	117651001	NOSAC, GLAVCINE TOCKA OSOVINE ZF AV 132	4472.336.330 ZF	kom	1				
3	114459601	LIM, SIGURN.GLAVCINE OS.AV 132/87	4474.335.144 ZF A.000.353.12.73 Mercedes Benz 0630.754.031 ZF	kom	40				

K
MAN, ZFIK, FAP, MERCEDES
-343/16

4	114352201	LEZAJ, 402731 GLAVCINE OS. ZF AV132/87	0735.371.966 ZF 36.93420.0009 MAN	kom	15				
5	117529701	PRSTEN, 190X3 GUMENI NOSAC.GLAV.ZF AV132II/87	0634.314.406 ZF	kom	5				
6	114578901	PRSTEN, GUMENI 192X3 NOSACA GLAVC.AV 132/87	0634.303.996 ZF A.024.997.63.48 Mercedes Benz	kom	20				
3									

4) PORTAL OSOVINE ZF AV-132/87

1	114772201	KUCISTE, DESNI PORTAL BOCNOG REDUKT.AV-132/87	4472.335.780 ZF	kom	1				
2	114771401	KUCISTE, LEVI PORTAL BOCNOG REDUK.AV-132/87	4472.335.779 ZF	kom	3				
3	117578501	NOSAC, DESNOG PORTALA ZF AV132/87	4472.335.637 ZF	kom	1				
4	117577701	NOSAC, LEVOG PORTALA ZF AV132/87	4472.335.636 ZF	kom	1				
4									

5) DELOVI REDUKTORA OSOVINE ZF AV-132/87

1	114636001	MEDJUZUPCANIK, Z61 REDUKTORA OS.ZF AV 132/87	4472.335.325 ZF A.000.353.09.15 Mercedes Benz 81.37303.0017 MAN	kom	20				
2	114630001	ZUPCANIK, Z-21 ULAZNI REDUK.OS.ZF AV132/87	4472.335.647 ZF A.000.353.08.10 Mercedes Benz	kom	15				
3	114639401	ZUPCANIK, Z-67 POG.REDUKTORA OS.ZF AV 132/87	4472.335.433 ZF A.000.353.11.15 Mercedes Benz 81.37305.0040 MAN 0870-335-433 SOLARIS	kom	20				
4	114626201	PODLOSKA, ELASTICNA REDUKTORA OS.ZF AV 132/87	0750.106.080 ZF A.001.993.23.26 Mercedes Benz 81.97651.0162 MAN	kom	20				
5	114635101	PODLOSKA, ELASTICNA ZUPC.REDUK.OS.ZF AV132/87	0750.106.083 ZF A.001.993.27.26 Mercedes Benz 06.46019.0033 MAN	kom	20				

6	114627001	PODLOSKA, REDUKTORA OSOVINE ZF AV 132/87	0750.101.175 ZF A.000.353.15.48 Mercedes Benz 0707-000-088 SOLARIS	kom	30				
7	114629701	PODLOSKA, ZUPCANIKA REDUKTORA OS.ZF AV 132/87	0750.101.174 ZF A.001.353.29.77 Mercedes Benz	kom	15				
8	114632701	PODLOSKA, ZUPCANIKA REDUKTORA OS.ZF AV 132/87	4472.335.681 ZF A.002.353.44.77 Mercedes Benz 81.90714.0503 MAN 0870-335-681 SOLARIS	kom	15				
9	114634301	PODLOSKA, ZUPCANIKA REDUKTORA OS.ZF AV 132/87	0750.101.164 ZF A.002.353.53.77 Mercedes Benz 81.90714.0504 MAN 0820-340-004 SOLARIS	kom	15				
10	114641601	POLUVRATILO, ZUPC.DESNOG REDUKT.OS.ZF AV 132/87	4472.335.667 ZF A.000.357.19.01 Mercedes Benz 4472.336.427 ZF	kom	10				
11	114642401	POLUVRATILO, ZUPC.LEVOG REDUKT.OS.ZF AV132/87	4472.335.665 ZF A.000.357.18.01 Mercedes Benz 4472.336.425 ZF 0000-058-049 SOLARIS	kom	10				
12	114631901	PRSTEN, OSIGUR. 42X2 ZUPC.REDUK.OS.ZFA V132/87	0630.532.159 ZF A.000.994.00.09 Mercedes Benz	kom	6				
13	114638601	PRSTEN, ZAPT.64X3 MEDJUZUPC.REDUK. OS.AV132/87	0634.313.574 ZF A.025.997.58.48 Mercedes Benz 0870-313-574 SOLARIS	kom	80				
5						-			

6) ZAVRTNJEVI OSOVINE ZF AV-132/87

1	114717001	ZAVRTANJ, DIFERENC.OSOVINE ZF AV132/87	0750.108.012 ZF A.006.990.43.04 Mercedes Benz 81.90490.0679 MAN 0870-108-012 SOLARIS	kom	210				
2	113892801	ZAVRTANJ, M12X1.25X50 PRIR.DIF.AV132/87 O345C	A.010.990.96.01 Mercedes Benz 0636.020.398 ZF	kom	30				
3	114789701	ZAVRTANJ, M14X1.5X140-10.9 TOREX AV-132/87	0501.321.377 ZF 81.90490.0824 MAN 0000-050-665 SOLARIS 0750.108.083 ZF	kom	100				

K
MAN, ZFIK, FAP, MERCEDES
-343/16

4	114579701	ZAVRTANJ, M14X1.5X45-10.9 TOREX OS.AV 132/87	0501.321.372 ZF 81.90490.0822 MAN 0750.108.080 ZF	kom	80				
5	114580001	ZAVRTANJ, M14X1.5X85-10.9 TOREX OS.AV 132/87	0501.321.375 ZF 0750.108.081 ZF	kom	120				
6	114355701	ZAVRTANJ, M16X1.5X80 DISKA OSOV.ZF AV132/87	0636.020.153 ZF 0707-000-038 SOLARIS	kom	50				
7	116101601	ZAVRTANJ, M20X1.5X55 OS.ZF AV132/87	0636.021.257 ZF A.012.990.73.01 Mercedes Benz 0707-000-046 SOLARIS	kom	40				
6									

7	114348401	GLAVCINA, POG.OSOVINE ZF AV132/87 IK112N/218N	4472.335.745 ZF 81.35701.0176 MAN	kom	16				
8	114093001	POLUTKA, LEZAJA STABILIZ.GOR.POG.O S.IK112/218	8.218.35.30.013 Ikarbus	kom	4				
9	114351401	SEMERING, 132X160X10 SPOLJ.GLAVC.OS.AV1 32/87	0734.319.643 ZF	kom	16				
10	114353001	SEMERING, 132X172X12 BF1 BRUSS 76880-00 UNUTR	0734.319.644 ZF	kom	15				
11	114356501	ZAVRTANJ, M18X1.5X50 POLUVRATILA OS.AV132/87	0636.021.250 ZF 0707-000-044 ZF	kom	40				
12	114637801	OSOVINICA, LEZAJA MEDJUZ.REDUK.OS.Z F AV132/87	4472.335.822 ZF A.000.991.28.01 Mercedes 85.35107.0001 MAN 0720-385-075 ZF	kom	4				
13	114640801	PRSTEN, IMPULSNI Z-100 REDUKT.OS.ZF AV 132/87	4472.335.292 ZF A.013.542.15.17 Mercedes 81.35613.0045 MAN	kom	4				
14	117528901	KUCISTE, LEVI PORTAL BOC.REDUKT.OS.AV1 32II/87	4472.336.347 ZF	kom	2				
15	117779601	KUCISTE, DESNI PORTAL BOCNOG REDUKTORA OSOVINE AV132II87	4472.336.348 ZF	kom	1				
16	117648001	NOSAC, AMORT./JASTUKA DESNI OS.AV 132II/87	4472.336.272 ZF	kom	1				
17	117649801	NOSAC, AMORT./JASTUKA LEVI OS.AV132II/87	4472.336.273 ZF	kom	1				

18	112838801	SEMERING, 90x125x12/19 PRIR.DIF.OS.AV 132/87	0734.319.589 ZF A.023.997.27.47 Mercedes 81.96503.0326 MAN	kom	20				
----	-----------	---	--	-----	----	--	--	--	--

19) PODLOŠKE ZA PODEŠAVANJE OSOVINE ZF AV-132/87

1	115463001	PODLOSKA, KONUSNOG.ZUPC. A=0,96 AV-132	A.000.353.30.77 Mercedes Benz 0730.110.457 ZF	kom	1				
2	115465601	PODLOSKA, KONUSNOG.ZUPC. A=1,02 AV-132	A.000.353.32.77 Mercedes Benz 0730.110.459 ZF 0870-110-459 SOLARIS	kom	1				
3	115466401	PODLOSKA, KONUSNOG.ZUPC. A=1,05 AV-132	A.000.353.33.77 Mercedes Benz 0730.110.460 ZF	kom	1				
4	115467201	PODLOSKA, KONUSNOG.ZUPC. A=1,08 AV-132	A.000.353.34.77 Mercedes Benz 0730.110.461 ZF	kom	1				
5	115468001	PODLOSKA, KONUSNOG.ZUPC. A=1,11 AV-132	A.000.353.35.77 Mercedes Benz 0730.110.462 ZF 0870-110-462 SOLARIS	kom	1				
6	115470201	PODLOSKA, KONUSNOG.ZUPC. A=1,17 AV-132	A.000.353.37.77 Mercedes Benz 0730.110.464 ZF 81.90714.0212 MAN 0870-110-464 SOLARIS	kom	1				
7	115472901	PODLOSKA, KONUSNOG.ZUPC. A=1,23 AV-132	A.000.353.39.77 Mercedes Benz 0730.110.466 ZF	kom	1				
8	115473701	PODLOSKA, KONUSNOG.ZUPC. A=1,26 AV-132	A.000.353.40.77 Mercedes Benz 0730.110.467 ZF	kom	1				
9	115474501	PODLOSKA, KONUSNOG.ZUPC. A=1,29 AV-132	A.000.353.41.77 Mercedes Benz 0730.110.468 ZF	kom	1				
10	115540701	PODLOSKA, LEZAJA BOCNOG ZUPC.S=1,19 AV-132	0730.007.916 ZF A.001.353.93.77 Mercedes Benz	kom	2				
11	115541501	PODLOSKA, LEZAJA BOCNOG ZUPC.S=1,22 AV-132	0730.007.917 ZF A.001.353.94.77 Mercedes Benz	kom	2				
12	115542301	PODLOSKA, LEZAJA BOCNOG ZUPC.S=1,25 AV-132	0730.007.918 ZF A.001.353.95.77 Mercedes Benz	kom	2				
13	115543101	PODLOSKA, LEZAJA BOCNOG ZUPC.S=1,28 AV-132	0730.007.919 ZF A.001.353.96.77 Mercedes Benz	kom	2				

14	115544001	PODLOSKA, LEZAJA BOCNOG ZUPC.S=1,31 AV-132	0730.007.920 ZF A.001.353.97.77 Mercedes Benz 0870-007-920 SOLARIS	kom	4				
15	115546601	PODLOSKA, LEZAJA BOCNOG ZUPC.S=1,37 AV-132	0730.007.922 ZF A.001.353.99.77 Mercedes Benz	kom	4				
16	115547401	PODLOSKA, LEZAJA BOCNOG ZUPC.S=1,40 AV-132	0730.007.923 ZF A.002.353.00.77 Mercedes Benz 0820-340-012 SOLARIS	kom	2				
17	115548201	PODLOSKA, LEZAJA BOCNOG ZUPC.S=1,43 AV-132	0730.007.924 ZF A.002.353.01.77 Mercedes Benz 81.90714.0038 MAN	kom	4				
18	115550401	PODLOSKA, LEZAJA BOCNOG ZUPC.S=1,49 AV-132	0730.007.926 ZF A.002.353.03.77 Mercedes Benz	kom	2				
19	115552001	PODLOSKA, LEZAJA BOCNOG ZUPC.S=1,55 AV-132	0730.007.928 ZF A.002.353.05.77 Mercedes Benz	kom	4				
20	115554701	PODLOSKA, LEZAJA BOCNOG ZUPC.S=1,61 AV-132	0730.007.930 ZF A.002.353.07.77 Mercedes Benz	kom	2				
21	115555501	PODLOSKA, LEZAJA BOCNOG ZUPC.S=1,64 AV-132	0730.007.931 ZF A.002.353.08.77 Mercedes Benz 81.90714.0045 MAN 0870-007-931 SOLARIS	kom	1				
22	115521001	PODLOSKA, LEZAJA MEDJUZUPCANIKA S=2,80 AV-132	0730.007.970 ZF A.001.353.74.77 Mercedes Benz 81.90714.0083 MAN	kom	12				
23	115522901	PODLOSKA, LEZAJA MEDJUZUPCANIKA S=2,85 AV-132	0730.007.971 ZF A.001.353.75.77 Mercedes Benz 0870-007-971 SOLARIS	kom	16				
24	115523701	PODLOSKA, LEZAJA MEDJUZUPCANIKA S=2,90 AV-132	0730.007.972 ZF A.001.353.76.77 Mercedes Benz 0870-007-972 SOLARIS	kom	16				
25	115524501	PODLOSKA, LEZAJA MEDJUZUPCANIKA S=2,95 AV-132	0730.007.973 ZF A.001.353.77.77 Mercedes Benz 0870-007-973 SOLARIS	kom	12				
26	115525301	PODLOSKA, LEZAJA MEDJUZUPCANIKA S=3,00 AV-132	0730.007.974 ZF A.001.353.78.77 Mercedes Benz	kom	8				
27	115426501	PODLOSKA, TANJIR.ZUPC. A=0,90 DESNA AV- 132	0730.110.485 ZF A.000.353.65.77 Mercedes Benz 81.90702.0062 MAN	kom	4				

28	115427301	PODLOSKA, TANJIR.ZUPC. A=0,93 DESNA AV- 132	0730.113.189 ZF	kom	4				
29	115428101	PODLOSKA, TANJIR.ZUPC. A=0,96 DESNA AV- 132	0730.113.190 ZF	kom	2				
30	115430301	PODLOSKA, TANJIR.ZUPC. A=1,02 DESNA AV- 132	0730.113.192 ZF 81.90714.0773 MAN	kom	2				
31	115431101	PODLOSKA, TANJIR.ZUPC. A=1,05 DESNA AV- 132	0730.110.488 ZF A.000.353.71.77 Mercedes Benz	kom	2				
32	115433801	PODLOSKA, TANJIR.ZUPC. A=1,11 DESNA AV- 132	0730.113.194 ZF	kom	4				
33	115434601	PODLOSKA, TANJIR.ZUPC. A=1,14 DESNA AV- 132	0730.113.195 ZF 81.90714.0776 MAN	kom	2				
34	115435401	PODLOSKA, TANJIR.ZUPC. A=1,17 DESNA AV- 132	0730.113.196 ZF	kom	2				
35	115436201	PODLOSKA, TANJIR.ZUPC. A=1,20 DESNA AV- 132	A.000.353.77.77 Mercedes Benz 0730.110.491 ZF	kom	2				
36	115437001	PODLOSKA, TANJIR.ZUPC. A=1,23 DESNA AV- 132	0730.113.197 ZF 81.90714.0778 MAN	kom	1				
37	115389701	PODLOSKA, TANJIR.ZUPC. S=0,30 LEVA AV-132	0730.107.934 ZF A.000.353.91.77 Mercedes Benz 81.90702.0008 MAN 0870-107-934 SOLARIS	kom	6				
38	115390001	PODLOSKA, TANJIR.ZUPC. S=0,35 LEVA AV-132	0730.107.935 ZF A.000.353.92.77 Mercedes Benz 81.90702.0009 MAN	kom	6				
39	115391901	PODLOSKA, TANJIR.ZUPC. S=0,40 LEVA AV-132	0730.107.936 ZF A.000.353.93.77 Mercedes Benz 81.90702.0010 MAN 0870-107-936 SOLARIS	kom	6				
40	115392701	PODLOSKA, TANJIR.ZUPC. S=0,45 LEVA AV-132	0730.107.937 ZF A.000.353.94.77 Mercedes Benz 81.90702.0011 MAN	kom	3				
41	115395101	PODLOSKA, TANJIR.ZUPC. S=0,60 LEVA AV-132	0730.107.940 ZF A.000.353.97.77 Mercedes Benz	kom	6				
42	115397801	PODLOSKA, TANJIR.ZUPC. S=0,70 LEVA AV-132	0730.107.942 ZF A.000.353.99.77 Mercedes Benz	kom	6				

43	115403601	PODLOSKA, TANJIR.ZUPC. S=1,00 LEVA AV-132	0730.107.948 ZF A.000.353.05.77 Mercedes Benz 81.90702.0022 MAN 0870-107-948 SOLARIS	kom	6				
44	115405201	PODLOSKA, TANJIR.ZUPC. S=1,10 LEVA AV-132	0730.107.950 ZF A.000.353.07.77 Mercedes Benz 0870-107-950 SOLARIS	kom	4				
45	115406001	PODLOSKA, TANJIR.ZUPC. S=1,15 LEVA AV-132	0730.107.951 ZF A.000.353.08.77 Mercedes Benz 0870-107-951 SOLARIS	kom	3				
46	115410901	PODLOSKA, TANJIR.ZUPC. S=1,35 LEVA AV-132	0730.107.955 ZF	kom	4				
47	115411701	PODLOSKA, TANJIR.ZUPC. S=1,40 LEVA AV-132	0730.107.956 ZF A.000.353.13.77 Mercedes Benz	kom	4				
48	115412501	PODLOSKA, TANJIR.ZUPC. S=1,45 LEVA AV-132	0730.107.957 ZF	kom	6				
49	115502401	PRSTEN, ODSTOJNI A=10,20 LEZ.KONUS.ZUP.AV- 132	A.001.353.45.51 Mercedes Benz 0730.161.112 ZF 0870-161-112 Solaris	kom	1				
50	115501601	PRSTEN, ODSTOJNI A=10,25 LEZ.KONUS.ZUP.AV- 132	A.001.353.44.51 Mercedes Benz 0730.161.113 ZF 0870-161-113 SOLARIS	kom	2				
51	115500801	PRSTEN, ODSTOJNI A=10,30 LEZ.KONUS.ZUP.AV- 132	A.001.353.43.51 Mercedes Benz 0730.161.114 ZF 0870-161-114 SOLARIS	kom	1				
52	115499001	PRSTEN, ODSTOJNI A=10,35 LEZ.KONUS.ZUP.AV- 132	0730.161.115 ZF 81.93030.0184 MAN	kom	2				
53	115498201	PRSTEN, ODSTOJNI A=10,40 LEZ.KONUS.ZUP.AV- 132	A.001.353.41.51 Mercedes Benz 0730.161.116 ZF 0870-161-116 SOLARIS	kom	2				
54	115497401	PRSTEN, ODSTOJNI A=10,45 LEZ.KONUS.ZUP.AV- 132	0730.161.117 ZF 0870-161-117 SOLARIS	kom	2				
55	115496601	PRSTEN, ODSTOJNI A=10,50 LEZ.KONUS.ZUP.AV- 132	A.001.353.39.51 Mercedes Benz 0730.161.118 ZF 81.93030.0187 MAN	kom	2				
					19	-			

20) DELOVI OSOVINE VOK 07-B17, IK112/218M

1	117268901	CAURA, GUMENA MANJA STABILIZ.OS.VOK 07- B17	81.43722.0059 MAN	kom	10				
2	117269701	CAURA, GUMENA DVOD.STABILIZ. OS.VOK 07-B17	81.43704.0077 MAN	kom	4				
20									

21	115190801	VALJICIC, KOCNE PAPUCE OS.BDI28MD	860.00.3341.050 RABA 300153 RABA	kom	20				
22	115234301	ODBOJNIK, GUMENI POG.OSOVINE RABA IK	8.017.35.103 Ikarbus	kom	20				
23	108360001	OPRUGA, KOC.PAPUCA DUZA POG.OSOV.BDI23 IK202	359161 RABA	kom	80				
24	108689801	SEMERING, 85X132X13 SA NOSACEM DIFER.IK103/	551 989 98 RABA	kom	40				
25	108358901	PAPUCA, KOCNA POGONSKE OSOVINE BDI23 IK202	865.12.3341.010 RABA 573480 RABA	kom	24				
26	114488001	KLIP, NOSAC DONJI VAZD.JAST.PRED.OS OV. ZF RL	0501.323.864 ZF	kom	6				
27	114487101	KLIP, NOSAC VAZD.JAST.POG. I NEUTR.OS. ZF RL	0501.323.799 ZF	kom	6				
28	114118001	LEZAJ, IGLICASTI F- 91943INA RUKAV.OS.ZF RL-85	0735.298.256 ZF 0735.300.973 ZF	kom	100				
29	113283001	LEZAJ, 32309 GLAVC.TOCKA SPOLJ.OS. ZF RL-85A IK112/218N	0750.117.524 ZF	kom	40				
30	114006001	LEZAJ, AKSIJALNI OSOVINICE RUKAVCA OS. ZF RL-85A IK- 112/218	0750.115.411 ZF 0735.301.286 ZF 36.44210.0000 MAN	kom	60				
31	114011601	LEZAJ, 534565 GLAVC.TOCKA UNUTR. OS. ZF RL- 85A IK112/218N	0750.117.516 ZF	kom	28				
32	114022101	POKLOPAC, RUKAVCA IK 112N/218N	4474.385.002 ZF	kom	6				
33	114116301	OSOVINICA, RUKAVCA OSOVINE ZF RL-85A	4474.385.019 ZF	kom	20				
34	114120101	ZAVRTANJ, M16X1.5X50-10.9 DISKA OS.ZF RL-85A	0636.101.741 ZF	kom	40				
35	114310701	SEMERING, 100X140X15 OS.ZF RL-85A IK112N/218N	0750.111.402 ZF	kom	20				

36	114492801	ZAVRTANJ, M18X1.5X60 10.9 PRED.OS.ZF RL-85A	0636.020.253 ZF 0870-020-253 Solaris	kom	40				
37	115037501	RUKAVAC, PREDNJE OSOVINE ZF-RL85A IK112/218N	4474.385.134 ZF 36.44201.6000 MAN	kom	1				

38) PREVRTA , KO NIH PAPU A POG.OSOVINE HO9 SG/SL

1	106099601	PREVRTAC, KOC.PAPUCA POGON.OS.HO9 DESNI SG/SL	81.50301.0112 MAN	kom	14				
2	106100301	PREVRTAC, KOC.PAPUCA POGON.OS.HO9 LEVI SG/SL	81.50301.0113 MAN	kom	14				
38									

39) LIM ZAŠTITNI OSOVINE HOM9 SG313/SL283

1	113783201	LIM, ZASTITNI OSOVINE HOM9 DESNI SG313/SL283	81.50101.0222 MAN	kom	40				
2	113784001	LIM, ZASTITNI OSOVINE HOM9 LEVI SG313/SL283	81.50101.0221 MAN	kom	40				
39									

40	108946301	LEZAJ, PR.OS.SA INTEG.KUCIS. HOV9 SG313/SL283	81.93420.0349 MAN	kom	10				
41	112690301	PRSTEN, GUMENI KOCNOG VALJKA MAN SG313	06.56936.1051 MAN	kom	60				
42	113748401	KUCISTE, PLANET.ZUPC.POG.O S. HO9-1300 SG 313	81.35114.6113 MAN	kom	14				
43	115285801	LEZAJ, 33022 UNUT.110x170x47 POG.TOCKA OS.HO9	06.32499.0155 MAN	kom	6				
44	115349801	SEMERING, 85X145X12/25- FPM/NBR GL.PRENOSN.SG	06.56289.0319 MAN	kom	6				
45	116267501	SEMERING, 145X175X15.5WD- NBR-Z=100 OS.HO9 SG	06.56289.0371 MAN	kom	20				
46	116432501	GLAVCINA, TOCKA POGONSKE OSOVINE HO9-13120	81.35701.0141 MAN	kom	8				
47	116716201	OPRUGA, KOCNE PAPUCE SG 313	81.97610.0317 MAN	kom	80				
48	111089601	KLIP, NOSAC DONJI VAZ.JASTUKA PRED.OS.SG313	81.43603.0060 MAN	kom	20				

K
MAN, ZFIK, FAP, MERCEDES
-343/16

49	111090001	KLIP, NOSAC DONJI VAZ.JASTUKA POG.OS.SG313	81.43603.0055 MAN	kom	18				
50	109822501	OSIGURAC, TRAPEZNI KOC.PAPUCA SL/SG, A537	81.90801.0225 MAN 346.994.01.09 FAP	kom	200				
51	110853001	PAPUCA, KOCNA POGONSKE OSOVINE MAN SG313/283	81.50201.0138 MAN	kom	32				
52	105591701	PRSTEN, GUMENI 255X5 KUCISTA TRKACA SG/SL	06.56341.4254 MAN	kom	100				

53) RUKUNICA PREDNJE OSOVINE V9-82L-29 SL/SG

1	114727701	RUKUNICA, PREDNJE OSOV.V9-82L-29 SL/SG DESNA	81.46701.0330 MAN	kom	1				
2	114728501	RUKUNICA, PREDNJE OSOV.V9-82L-29 SL/SG LEVA	81.46701.0331 MAN	kom	1				
53									

54	110650301	SET, DELOVA RUKAVCA OSOVINE V9-82L SG313	81.44205.6023 MAN	set	40				
55	113677101	PRSTEN, GUMENI ?62X3 OSOVINICE RUKAVCA SG313	06.56939.0016 MAN	kom	25				

56) POLUVRATIŁA POGONSKE OSOVINE O345C

1	110029701	POLUVRATIŁO, POGONSKE OSOVINE O345C E2 LEVO	A.659.357.14.01 Mercedes Benz	kom	1				
2	110030001	POLUVRATIŁO, POGONSKE OSOVINE O345C E2 DESNO	A.659.357.15.01 Mercedes Benz	kom	1				
56									

57) PREVRTA I POGONSKE OSOVINE O345C

1	110089001	PREVRTAC, KOCNIH PAPUCA POG.OSOV.DESNI O345C	A.623.423.02.36 Mercedes Benz	kom	7				
2	110090401	PREVRTAC, KOCNIH PAPUCA POG.OSOV.LEVI O345C	A.623.423.01.36 Mercedes Benz	kom	5				
57									

58) PREVRTA I POGONSKE OSOVINE O345C/E3

1	112850701	PREVRTAC, KOCNIH PAPUCA POG.OS. LEVI O345C/E3	A.000.423.15.36 Mercedes Benz 0501.315.950 ZF	kom	3			
2	112851501	PREVRTAC, KOCNIH PAPUCA POG.OS.DESNI O345C/E3	A.000.423.16.36 Mercedes Benz 0501.315.951 ZF	kom	3			
58						-		

59) KU IŠTA, PORTALI BO NOG REDUKTORA O345C/E3

1	113964901	KUCISTE, LEVI PORTAL BOCNOG REDUKT.O345C E3	A.000.351.13.05 Mercedes Benz 4472.335.795 ZF	kom	2			
2	113965701	KUCISTE, DESNI PORTAL BOCNOG REDUKT.O345C E3	A.000.351.14.05 Mercedes Benz 4472.335.796 ZF	kom	1			
59						-		

60) SETOVI RUKAVCA O345

1	109971001	SET, DELOVA RUKAVCA PREDNJE OSOVINE DES. O345	A.655.330.07.19 Mercedes Benz	set	10			
2	109970101	SET, DELOVA RUKAVCA PREDNJE OSOVINE LEVI O345	A.655.330.06.19 Mercedes Benz	set	10			
60						-		

61	109977901	GLAVCINA, TOCKA PREDNJE OSOVINE O345C	A.623.334.01.01 Mercedes Benz	kom	2			
62	109996501	OPRUGA, KOCNIH PAPUCA 234mm POVRATNA O345C	A.945.993.00.10 Mercedes Benz	kom	80			
63	112581801	SEMERING, 130X170X18/20 POG.GLAVCINE O345C/E3	A.013.997.59.46 Mercedes Benz 0734.319.610 ZF	kom	26			
64	109374601	SET, DELOVA VALJICA KOCNE PAPUCE O345,FAP,MB	A.307.420.03.39 Mercedes Benz	set	60			
65	109460201	SET, DELOVA PREVRTACA KOCNIH PAPUCA O345C	A.360.420.00.43 Mercedes Benz	set	25			
66	109935301	DRZAC, OSOLONCA VAZDUSNOG JAST.DONJI O345C	A.357.327.17.40 Mercedes Benz	kom	10			

67	117036801	KUCISTE, SFERNOG LEZAJA PREVRTACA POGONSKE OSOVINE O345C E2	A.357.423.16.33 Mercedes Benz	kom	4				
68	110931601	PAPUCA, KOCNA POGONSKE OSOVINE CONECTO	A.003.420.67.20 Mercedes Benz 0501.212.658 ZF	kom	2				
69	110940501	LEZAJ, 32021 KBS GLAVCINE POG.OS.SPOLJNI CONE	A.009.981.94.01 Mercedes Benz	kom	5				
70	110989801	LEZAJ, JM822049/JM822010 UNUT.POG.TOCKA O345C	A.010.981.38.01 Mercedes Benz 0750.117.314N ZF	kom	6				
71	111522701	GLAVCINA, TOCKA POGONSKE OS.ZP82 O345/E3	A.000.356.04.01 Mercedes Benz 4472.335.160 ZF	kom	4				
72	115845701	NOSAC, PREVRTACA LEVI POG.OS.AV132/87 O345C	A.000.352.06.40 Mercedes Benz 4472.335.625 ZF	kom	2				
73	115871601	POKLOPAC, KOCNOG SISTEMA (ANKER PLATNA) O345C	A.000.423.10.20 Mercedes Benz	kom	8				
74	112852301	SET, DELOVA PREVRTACA KOCNIH PAPUCA O345C/E3	A.013.997.05.46 Mercedes Benz 0501.298.041 ZF	set	20				
75	112860401	SET, OPRUGA KOCNIH PAPUCA POG.OSOV. O345C/E3	A.007.993.56.01 Mercedes Benz 0501.298.042 ZF	set	12				
76	113224501	SEMERING, OBLOGE POGONSKE OSOVINE O345 C E3	A.024.997.55.47 Mercedes Benz 0734.300.185 ZF	kom	12				
77	113229601	OSIGURAC, NAVRTKE OBLOGE POGONSKE OS. O345 E3	A.000.353.06.73 Mercedes Benz	kom	3				
78	114010801	ZAVRTANJ, M20X1.5X65 10.9 KOC.CIL. O345C E3	0636.101.829 ZF A.013.990.19.01 Mercedes Benz 06.02099.0364 MAN	kom	40				
79	114041801	OSIGURAC, OSOVINICE KOCNE PAPUCE ZA O345C E3	A.000.421.14.73 Mercedes Benz 0501.303.432 ZF	kom	10				
80	114042601	OSOVINICA, KOCNE PAPUCE ZA O345C E3	A.000.421.26.74 Mercedes Benz 0501.314.719 ZF	kom	8				
81	114088401	SET, Z=17/29 KONUSNO- TANJIRASTI DIF.OS.H07/8	A.357.350.05.39 Mercedes Benz	set	10				

82) DELOVI STABILIZATORA IK218 2012

1	117053801	NOSAC, DESNI STABILIZ.NEUTR.OS.I K218 2012	8.218.50.30.024 IKARBUS	kom	4				
2	117052001	NOSAC, LEVI STABILIZ.NEUTRALN E OS.IK218 2012	8.218.50.30.016 IKARBUS	kom	4				
3	117090201	NOSAC, STABILIZ.POG.OS. IK218 2012	8.218.35.30.043 IKARBUS	kom	4				

4	117091001	NOSAC, STABILIZ.POG.OS. IK218 2012	8.218.35.30.031 IKARBUS	kom	4					
82										

83) PODMETAC, RUKAVCA OSOVINE 832

1	100231701	PODMETAC, RUKAVCA 0.12mm OSOVINE 832	375949 RABA 832.00.3102.026 RABA	kom	80					
2	100232501	PODMETAC, RUKAVCA 0.25mm OSOVINE 832	375950 RABA 832.00.3102.027 RABA	kom	80					
3	100239201	PODMETAC, RUKAVCA 0.4mm OSOVINE 832	375951 RABA 832.00.3102.028 RABA	kom	80					
4	100234101	PODMETAC, RUKAVCA 0.6mm OSOVINE 832	375952 RABA 832.00.3102.029 RABA	kom	100					
5	100235001	PODMETAC, RUKAVCA 0.8mm OSOVINE 832	832.00.3102.024 RABA 504082 RABA	kom	90					
6	100236801	PODMETAC, RUKAVCA 1.0mm OSOVINE 832	504083 RABA 832.00.3102.025 RABA	kom	80					
83										

84	108274401	KLIP, NOSAC DONJI VAZDUSNOG JASTUKA IK	8.164.35.051 IKARBUS	kom	40				
85	108273601	PLOCA, VAZDUSNOG JASTUKA GORNJA IK	174754 RABA	kom	100				
86	100335601	LEZAJ, 30206 PRAT.OS.831/ MEDJUPOL. GUR. SP.A537	108.120.601 N.000720.030206 Mercedes Benz	kom	50				
87	103789701	LEZAJ, 30205 MEDJUPOLU.GUR.SP ONA IK-166/A537	N.000720.030205 Mercedes Benz	kom	15				
88	105558501	LEZAJ, 32019 XA F22 SPOLJ.ZAD.TOCKA IK,FAP,MB	A.001.980.26.02 Mercedes Benz 06.32489.0012 MAN 06.32489.0114 MAN	kom	10				
89	100246501	LEZAJ, 32310 A SPOLJNI GLAVC.OS.832 FAP,MB	A.001.981.76.05 Mercedes Benz 06.32499.0016 MAN	kom	40				
90	105560701	LEZAJ, 33021 UNUT.POGONSKOG TOCKA IK102,FAP	A.000.980.97.02 Mercedes Benz 06.32499.0038 MAN 06.32499.0126 MAN 06.32499.0188 MAN	kom	6				

91	100227901	LEZAJ, 353263 EHA3 OSOVINICE RUKAVCA OSOV.832	396840 RABA	kom	380				
92	105570401	LEZAJ, 365433 PREVRTACA POG.OS.IK102,FAP,M B	06.36959.0014 MAN A.000.981.60.31 Mercedes Benz 06.36959.0035 MAN	kom	120				
93	100251101	LEZAJ, 528983/331933 GLAVC.UN.O.832,SG, FAP,MB	06.32499.0043 MAN A.005.981.30.05 Mercedes Benz	kom	30				
94	105563101	LEZAJ, AKSIJALNI RUKAVCA PR.OS.MAN,FAP,MB,Z IU	06.32579.0043 MAN A.001.981.78.18 Mercedes Benz	kom	30				
95	111694001	LEZAJ, VALJKASTI UNUTR.DIFERENCIJA LA OSOV.H07	A.003.981.89.05 Mercedes Benz HM 807048/10 TIMKEN	kom	24				
96	100134501	SEMERING, 42X55X9 PREVRTACA SPOLJ.IK,FAP,MB	A.014.997.21.47 Mercedes Benz	kom	200				
97	105588701	SEMERING, 42X58X7 PREVRTACA UNUTR.IK,FAP,MB	A.012.997.41.47 Mercedes Benz 06.56279.0311 MAN 06.56279.0310 MAN	kom	150				
98	100252001	SEMERING, 100X130X13 GLAVCINE OSOV.832,FAP,MB	A.009.997.67.47 Mercedes Benz DIN 3760	kom	30				
99	100483201	SEMERING, 140X170X15 GLAVC.POG.OS.118 IK,ZIU		kom	40				
100	100450601	LEZAJ, 32312 B KONUS.ZUPC.DIF.OS. 118 IK,ZIU	0.112965 RABA	kom	2				
101	100452201	SEMERING, 85X110X13 DIFERENC.OSOV.118 IK,ZIU	108.138.553 Ikarbus	kom	4				
102	100466201	PRSTEN, GUMENI 237X4 KUCISTA PLANETARA OS.118	581.00.3330.046 RABA	kom	10				
103	105934301	KLIZAC, SEMERINGA GLAVC.POG.OS. IK,FAP,O405	A.355.356.12.15 Mercedes Benz 81.35710.0045 MAN 81.35710.0093 MAN 81.35710.6015 MAN	kom	10				
104	111326701	LEZAJ, 33215 Q KONUSNOG ZUPCANIKA DIF. OS.118	33215Q	kom	2				
105	111327501	LEZAJ, 32314 A KONUSNOG ZUPC. DIFER. OS.118	32314A	kom	40				
106	111328301	LEZAJ, 32215 F KONUSNOG ZUPC. DIF. OS.118	32215F	kom	2				
107	111358501	PRENOSNIK, DIFERENCIJALNI OSOVINE H07- SKLOP	A.387.350.59.23 Mercedes Benz	set	15				

K
MAN, ZFIK, FAP, MERCEDES
-343/16

108	108837801	SEMERING, 145X175/205-9/14 SA NOSACEM O405N	015.997.49.47 Mercedes Benz	kom	50				
109	111368201	LEZAJ, 33113 GLAVNOG PRENOSNIKA MAN, MERC.	06.32499.0108 MAN	kom	48				
110	110024601	NAVRTKA, PRIRUBNICE DIFERENCIJALA MB,FAP	A.385.351.06.72 Mercedes Benz	kom	8				

111) NOSA KO NIH PAPU A POGONSKE OSOVINE MB,103F,FAP

1	107319201	NOSAC, KOCNIH PAPUCA POG.OS. MB,103F,FAP(A/K)	A.346.423.03.06 Mercedes Benz A.942.423.03.06 Mercedes Benz 250615 FAP	kom	12				
2	107320601	NOSAC, KOCNIH PAPUCA PRED.OS.MB,103F,FA P(A/K)	250618 FAP A.346.421.31.06 Mercedes Benz	kom	14				
111									

112) TANJIRI POLUGE STABILIZATORA A537,IK103F

1	107609401	TANJIRIC, POLUGE STABILIZ.GORNJI A537,IK103F	321.323.01.67 Mercedes Benz	kom	8				
2	107610801	TANJIRIC, POLUGE STABILIZ.DONJI A537, IK103F	321.323.02.67 Mercedes Benz	kom	16				
112									

113) NOSA KO NIH PAPU A POGONSKE OSOVINE MB,103F,FAP

1	109705901	PREVRTAC, KOC.PAPUCA PRED.OSOV.DESNI FAP,MB	A.305.421.19.36 Mercedes Benz	kom	12				
2	109706701	PREVRTAC, KOC.PAPUCA PRED.OSOV.LEVI FAP,MB	A.305.421.18.36 Mercedes Benz	kom	8				
3	109707501	PREVRTAC, KOC.PAPUCA POGON.OS.DESNI FAP,O405	A.307.423.09.36 Mercedes Benz	kom	12				
4	109708301	PREVRTAC, KOC.PAPUCA POGON.OSOV.LEVI FAP,O405	A.307.423.08.36 Mercedes Benz	kom	12				
113									

114) NOSA KO NIH PAPU A POGONSKE OSOVINE MB,103F,FAP

1	109814401	NOSAC, VAZDUSNIH JASTUKA POG.OS. A537 LEVI	273851 FAP	kom	1				
2	109815201	NOSAC, VAZDUSNIH JASTUKA POG.OS. A537 DESNI	273852 FAP	kom	1				
114									

115	106579301	SEMERING, 145X175X13 POG.TOC.UNUTR.IK,F AP	011.997.01.46 A.013.997.65.47 Mercedes Benz 06.56289.0333 MAN	kom	180				
116	107264101	OSOVINICA, UPORNE SPONE NA ZAD.NOS.JASUKA FAP	166066 FAP	kom	10				
117	107658201	NOSAC, SEMERINGA PREVRTACA POGON.OSOV. FAP	346.423.00.58 Mercedes Benz	kom	20				
118	108037701	DRZAC, OSOLONCA VAZD.JAST.DONJI FAP A537,0405	A.307.320.08.43 Mercedes Benz A.302.320.01.43 Mercedes Benz	kom	12				
119	109239101	PAPUCA, KOCNA PREDNJE OSOVINE MB,FAP	A.305.420.11.19 Mercedes Benz	kom	10				
120	109370301	PAPUCA, KOCNA POGONSKE OSOVINE MB,FAP	A.659.420.14.19 Mercedes Benz	kom	20				
121	109698201	SEMERING, 72X105X19 PRIRUB.DIFERE.MB,F AP	A.020.997.06.47 Mercedes Benz 06.56279.0362 MAN	kom	30				
122	109781401	UZENGIJA, POGON.MOSTA M24X2X180X400 FAP A537	233845 FAP	kom	4				
123	111357701	SET, Z=21/28 KONUSNO- TANJIRASTI A537.2	A.355.350.30.39 Mercedes Benz A.355.350.51.39 Mercedes Benz	set	2				
124	114227501	PRIRUBNICA, ?165 DIFERENCIJALA FAP A537.2/.3	305.353.14.45 Mercedes Benz	kom	2				
125	113308001	CAURA, ZA CENTRIRANJE ZADNJ.TOCKA DUZA FAP537	03.112.00.42.0 BPW	kom	800				
126	113666601	SET, ZAPTIVKI SA SEMERINZIMA POG.OS.IK,FAP	A.624.356.00.80 Mercedes Benz 08864 FEBI	set	350				
127	107728701	OPRUGA, KOCNIH PAPUCA 246mm POVRATNA FAP,0405	A.617.993.11.10 Mercedes Benz 617.993.06.10 FAP	kom	40				
128	107736801	OSIGURAC, TRAPEZNI KOCNIH PAPUCA FAP	A.381.994.00.09 Mercedes Benz	kom	30				

129	108276001	OSLONAC, VAZDUSNOG JASTUKA DONJI FAP,O405	A.357.320.01.34 Mercedes Benz A.357.320.15.34 Mercedes Benz 301.320.01.75 FAP	kom	15				
130	108033401	OSLONAC, VAZDUSNOG JASTUKA GORNJI MB,FAP A537	A.322.320.03.35 Mercedes Benz A.612.320.00.35 Mercedes Benz	kom	6				
131	107390701	SET, DELOVA RUKAVCA PREDNJE OSOVI NE FAP, O405	06015 FEBI 391.330.00.19 FAP	set	30				

132) PODMETAC, RUKAVCA OSOVINE FAP, MB

1	107624801	PODMETAC, RUKAVCA 1.9mm PRED.OSOVINE FAP,MB	A.655.332.02.52 Mercedes Benz 389.332.02.52 FAP	kom	4				
2	107626401	PODMETAC, RUKAVCA 2.1mm PRED.OSOVINE FAP,MB	389.332.04.52 FAP A.655.332.04.52 Mercedes Benz	kom	6				
3	107629901	PODMETAC, RUKAVCA 2.3mm PRED.OSOVINE FAP,MB	A.655.332.06.52 Mercedes Benz 389.332.06.52 FAP	kom	6				
132									

133) DELOVI OSOVINE

1	116429501	SEMERING, POGONSKE GLAVCINE SPOLJNI IK218M	36.96503.0004 MAN 36.96503.0016 MAN	kom	4				
2	116427901	SEMERING, POGONSKE GLAVCINE UNUTRASNI IK218M	36.96503.0003 MAN 36.96503.0017 MAN	kom	4				
133									

134) DELOVI OSOVINE OS.H07-10 DL11.5

1	114644001	NAVRTKA, BOCNA DIFERENC.LEVA OS.H07-10 DL11.5	A.371.353.00.25 MB	kom	7				
2	114645901	NAVRTKA, BOCNA DIFEREN.DESNA OS.H07-10 DL11.5	A.355.350.03.43 MB	kom	7				
134									

135) DELOVI OSOVINE HONP-13100-03, IK

1	117725701	SET, Z=18/35 I=1.944 KONUSNO- TANJIRASTI OS.HONP-13100-03	36.35101.6005 MAN	set	2			
2	117769901	KUCISTE, LEVI PORTAL BOC.REDUKTORA OSOVINE HONP- 13100-03	81.35421.0027 MAN 4472.336.445 ZF	kom	1			
3	117770201	KUCISTE, DESNI PORTAL BOC.REDUKTORA OSOVINE HONP- 13100-03	81.35421.0026 MAN 4472.336.446 ZF	kom	1			
135							-	

136) DELOVI POGONSKE OSOVINE RABA618 IK103/201 (06)

1	116827401	POKLOPAC, REDUKTORA POG.OS.618.08	118.34.3330.031 RABA	kom	1			
2	116831201	PRENOSNIK, PLANETARNI SKLOP OS.618.08	518.74.3340.004 RABA	kom	2			
136							-	

137) DELOVI OSOVNI NA TROLZA, BKM

1	212072001	ISPARIVAC, DIFERENCIJALA ZIU,TROLZA	AT-01-DS-09-011	kom	5			
2	212187501	ZUPCANIK, POGONSKI KONUSNI Z=14 DIFER.BKM333	APT28-96AS11083 084901 RABA	kom	5			
137							-	

138) VAZDUŠNI MEHOVI

1	100177901	MEH, VAZDUSNI JASTUK B159 260X370-2K IK	0501.323.798 (ZF) V 1E26A (VIBRACOUSTIC)	kom	160			
2	108039301	MEH, VAZDUSNI JASTUK S-132 FAP,MB,IK103F	A.000.327.01.01 (Mercedes Benz)	kom	90			
3	109136001	MEH, VAZDUSNI JASTUK 916N1 SL283/SG313	81.43601.0126 (MAN)	kom	65			
4	206055801	MEH, VAZDUSNI JASTUK 320-200 N-48 BKM 32100S	320-200 N-48 BKM	kom	48			
138							-	

5

()

1.

5%

4.

()

:

a

5%

30

7.

4.

a

()

5 %

7

8.

45

9.

2.
1 %

5%

K

10.

1, 6 7

1,

1-3

5, _____

2, 3, 4 5

1,

4-13

5, _____

10

()

10

11.

29.

12.

a

13.

5%

14.

15.

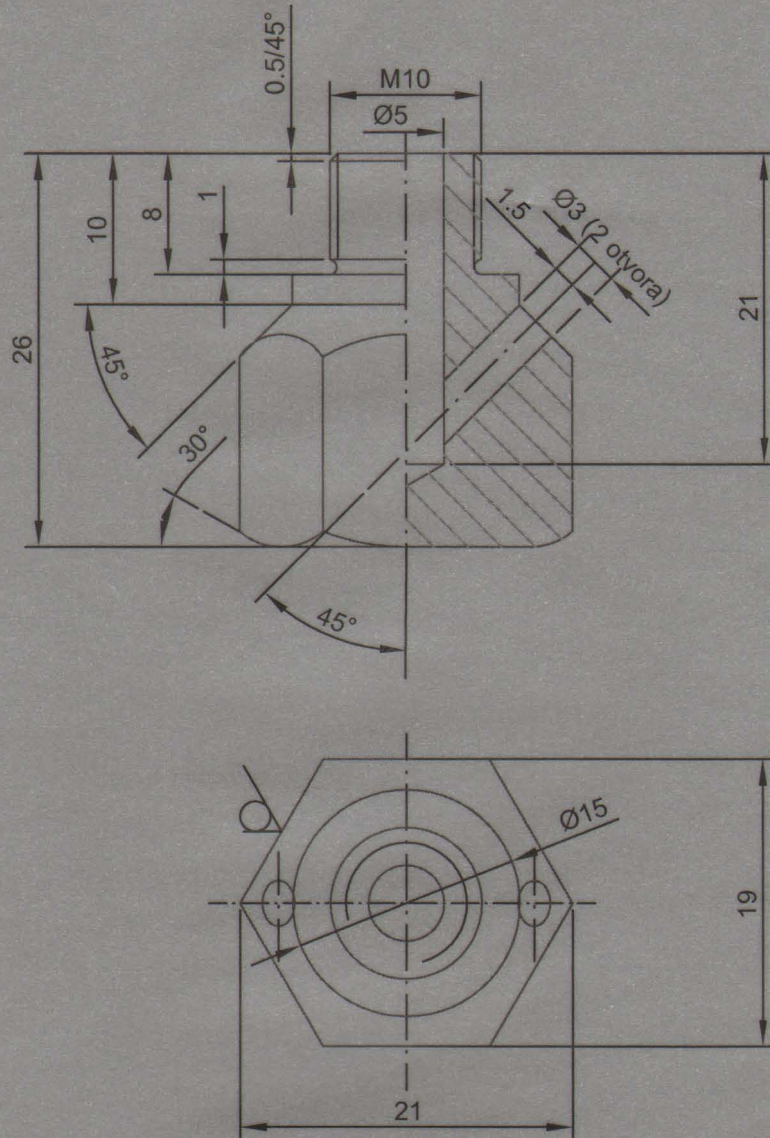
16.

17.

5 ()

7 ()

2 (),



NAPOMENA

- Poboľšati na 630-780 N/mm²
- Zaštitiiti kadmijumiziranjem

TR-66/41

GSP 2 120 720

09	011		Č.1430	OK19 x30		
Montaž	Detalj	NAZIV DETALJA-SKLOPA	Standard	Materijal	Dimenzije	Kom. Težina u kp
		KUĆIŠTE DIFERENCIJALA	AT-01-DS		"BEOGRAD"	
Veza sa		ISPARIVAČ	Snimio-konst.	TURKALJ .G.		
R	2:1	DIFERENCIJALA	Crtao	5.08.02.	KLISIĆ .G.	
			Pregledao			
			Overava			